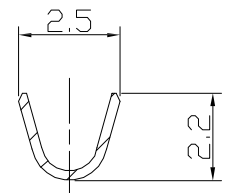
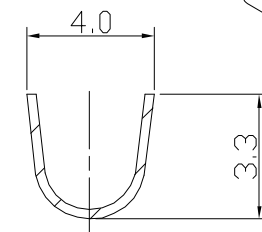
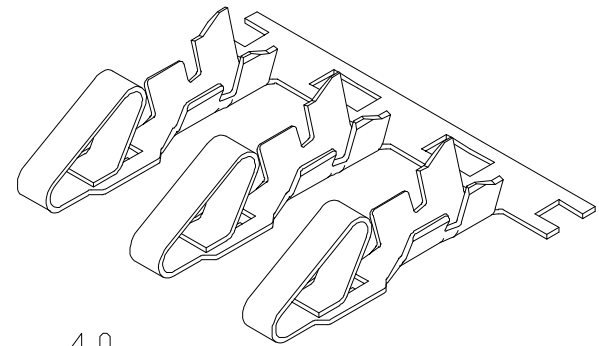
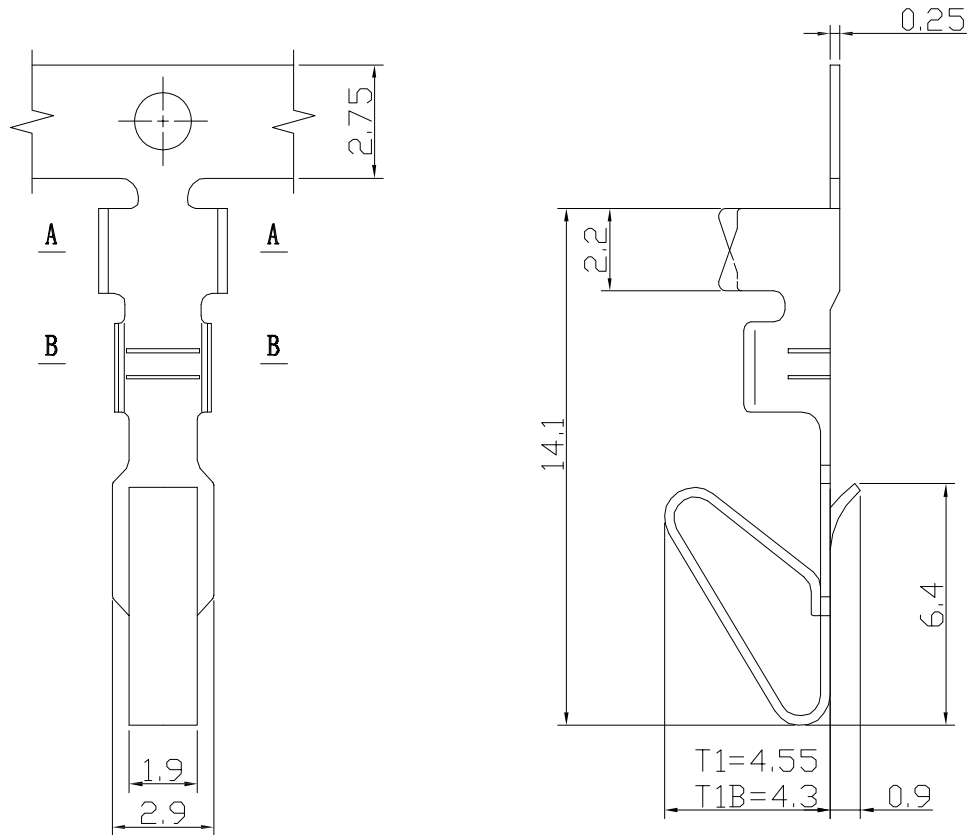


环保物料

主要技术参数
Main Specifications

线数 (poles): 2 to 16P
 额定电流 (Current rating): 7.0A AC, DC
 额定电压 (Voltage rating): 250V AC, DC
 温度范围 (Temperature range): -25°C to +85°C
 接触电阻 (Contact resistance): $\leq 20m\Omega$
 绝缘电阻 (Insulation resistance): $\geq 1000M\Omega$
 耐电压 (Withstand voltage): 1500V AC/minute
 适用线规 (Applicable wire): AWG #24 to #18
 适用基板厚度 (Applicable PC board thickness): 1.6mm



Wire Range	Insulation O.D.	Material	Finish	Qty/Reel
AWG #18~#24		Phosphor bronze	Tin-plated	5000PCS/Reel (1盘)

GENERAL TOLERANCES		SCALE:	NAME	DATE	康导新能源 www.dgconne.com 电话: 0769-85337633 邮箱: 2850175988@qq.com 传真: 0769-85392827	PART. NO: 25081T
LINEAR	ANGLES	1:1	APPROVED	黎腾		
0.0±0.35	X° REF±6°		DESIGNER	肖坤权	2017.06.16	DWG. NO:
0.00±0.25	X° ±3°		DRAWN	旷淇	2017.06.16	REV: A0 SHEET: 1/1
0.000±0.15	X° X'±2°		TITLE: 5.08mmPITCH TERMINAL			



UNIT: MM

SIZE: A4

2017.06.16

DATE

新图面发行

REVISION RECORD