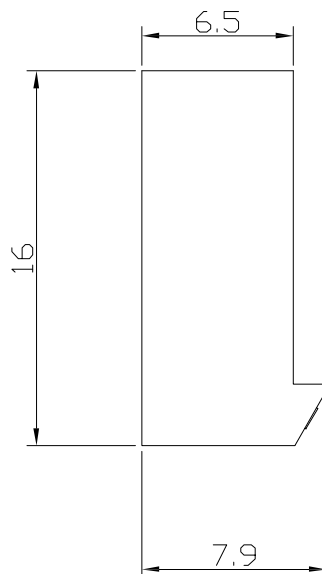
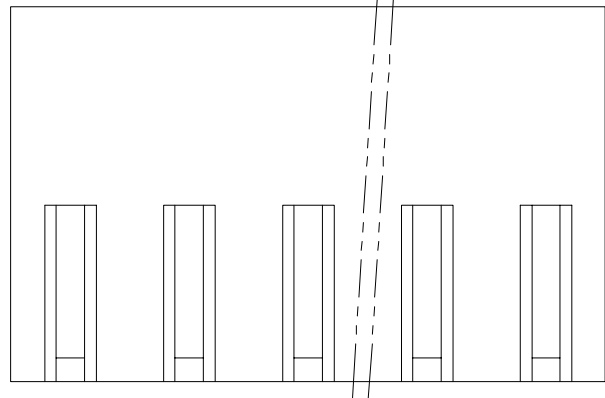
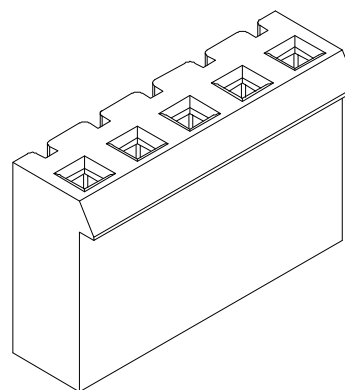
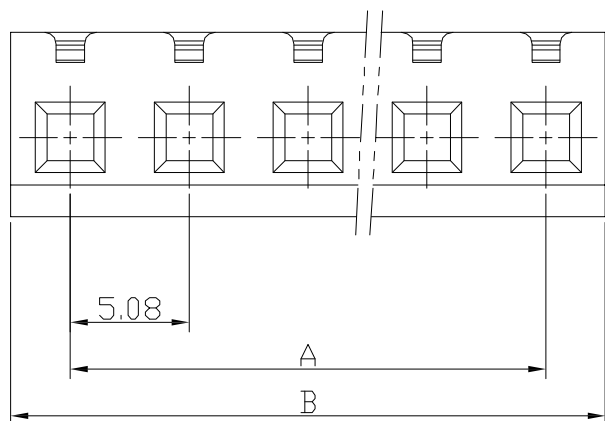


环保物料



主要技术参数 Main Specifications

线数 (Poles): 02 to 14
 接触电阻 (Contact resistance): $\leq 20m\Omega$
 绝缘电阻 (Insulation resistance): $\geq 1000M\Omega$
 额定电压 (Rated voltage): 250V AC DC
 额定电流 (Rated current): 5.0A AC DC
 耐电压 (Withstand Voltage): 1500V AC/minute
 温度范围 (Temperature Range): $-25^{\circ}C \sim +85^{\circ}C$



Poles	Dimensions mm	
	A	B
2	5.08	10.16
3	10.16	15.24
4	15.24	20.32
5	20.32	25.40
6	25.40	30.48
7	30.48	35.56
8	35.56	40.64
9	40.64	45.72
10	45.72	50.80
11	50.08	55.88
12	55.88	60.96
13	60.69	66.04
14	66.04	71.12

1	Housing 胶壳	PA66 (UL94V-0/V-2)	1	Transparent 透明白色	
序号	图号	名称	材料	数量	附注

		GENERAL TOLERANCES		SCALE: 1:1	NAME	DATE	康导新能源 网址: www.dgconne.com 电话: 0769-85337633 邮箱: 2850175986@qq.com 传真: 0769-85392827	PART. NO: 25081Y1	
		LINEAR	ANGLES	APPROVED	黎腾	2017.06.16			
A0	新图面发行	2017.06.16	UNIT: MM	0.00±0.25	X° ±3°	DESIGNER	肖坤权	2017.06.16	DWG. NO:
REV.	REVISION RECORD	DATE	SIZE: A4	0.000±0.15	X° X'±2°	DRAWN	旷淇	2017.06.16	TITLE: 5.08mmPITCH HOUSING
		REV:	A0	SHEET:		1/1			