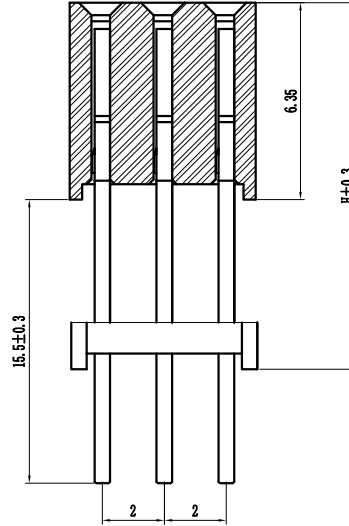
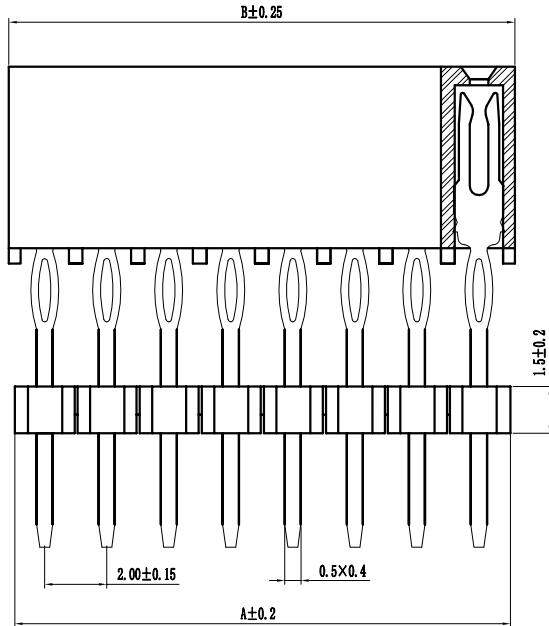
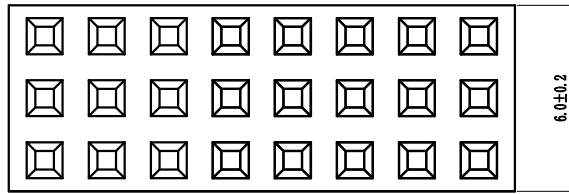
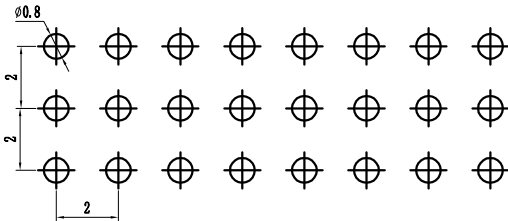


环保物料

Pin数	尺寸A	尺寸B
3×3	4.0	6.3
3×4	6.0	8.3
3×5	8.0	10.3
3×6	10.0	12.3
3×7	12.0	14.3
3×8	14.0	16.3
3×9	16.0	18.3
3×10	18.0	20.3
3×11	20.0	22.3
3×12	22.0	24.3
3×13	24.0	26.3
3×14	26.0	28.3
3×15	28.0	30.3
3×16	30.0	32.3
3×17	32.0	34.3
3×18	34.0	36.3
3×19	36.0	38.3
3×20	38.0	40.3
3×21	40.0	42.3
3×22	42.0	44.3
3×23	44.0	46.3
3×24	46.0	48.3
3×25	48.0	50.3
3×26	50.0	52.3
3×27	52.0	54.3
3×28	54.0	56.3
3×29	56.0	58.3
3×30	58.0	60.3
3×31	60.0	62.3
3×32	62.0	64.3
3×33	64.0	66.3
3×34	66.0	68.3
3×35	68.0	70.3
3×36	70.0	72.3
3×37	72.0	74.3
3×38	74.0	76.3
3×39	76.0	78.3
3×40	78.0	80.3



PCB LAYOUT



Specification:

Current Rating : 2AMP

Temperature Range : -40℃to+105℃

Contact Resistance : 20mΩ Max

Insulation Resistance : 1000MΩ Min

Withstanding Voltage : AC 500V

Material:

Insulator : Polyester (UL94V-0)

Standard:PBT/PA6T/LCP

Contact: Brass

Plating : Au or Sn Over 50u" Ni

F 20 0D-XXX X X -XX-X-XXX
① ② ③ ④ ⑤ ⑥ ⑦ ⑧ ⑨

① Series No:	② Pitch:	③ Tail/Mounting Style:	④ No. of Pins:	⑤ Insulator Color:
P=Pin Header	08=0.80	9D=Right Angle DIP Type	Single Row Double Row	A:Black B:Brown C:Red
F=Female Header	10=1.00	9S=Straight SMT Type	101=1*1Pin 201=2*1Pin	D:Orange E:Yellow F:Green
B=Box Header	12=1.27	0D=Straight DIP Type	102=1*2Pin 202=2*2Pin	G:Blue H:Violet J:Gray
E=Ejector Header	20=2.00	0S=Horizontal SMT Type	i i i i	K:White P:Light Blue
	25=2.54		140=1*40pin 240=2*40pin	
	39=3.96			
	50=5.08			
⑥ Material Type:	⑦ Plating Type:	⑧ RoHS Request:	⑨ Customer Code	
A=PBT	0*-Sn-Au 1*-Ni 2*-Sn 3*-Matte-Tin 5*-Au	0:No Request		
B-PA46	0A-Sn-Au 1u" 0F-Sn-Au 10u" 5A-Au 1u"	1:RoHS		
C-PA6T	0B-Sn-Au 2u" 0C-Sn-Au 15u" 5B-Au 2u"	2:HF (Halogen Free)		
D-PA9T	0C-Sn-Au 3u" 0H-Sn-Au 30u" 5C-Au 3u"			
E-LCP	0D-Sn-Au 4u" 0I-Sn-Au 40u" i			
	0E-Sn-Au 5u" 0J-Sn-Au 50u" 5J-Au 50u"			

REV.	REVISION RECORD	DATE	UNIT: MM	GENERAL TOLERANCES		SCALE: 1:1	NAME	DATE
				LINEAR	ANGLES			
				0.00±0.15	X° REF±6°		黎腾	2017.06.16
				0.00±0.15	X° ±3°		肖坤权	2017.06.16
				0.000±0.08	X° X'±2°		旷淇	2017.06.16

康导新能源
 网址: www.dgoonne.com 电话: 0760-86337633
 邮箱: 2850175986@qq.com 传真: 0760-86382827

TITLE:
Pitch2.0mm Female Header, Triple Row,
Plastic Height 6.35mm, Elevated DIP Type (Y)

PART. NO:	KDFH-0101
DWG. NO:	ENDE1101
REV:	AO
SHEET:	1/1