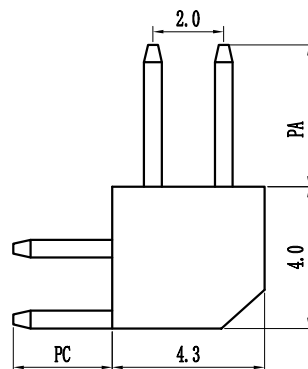
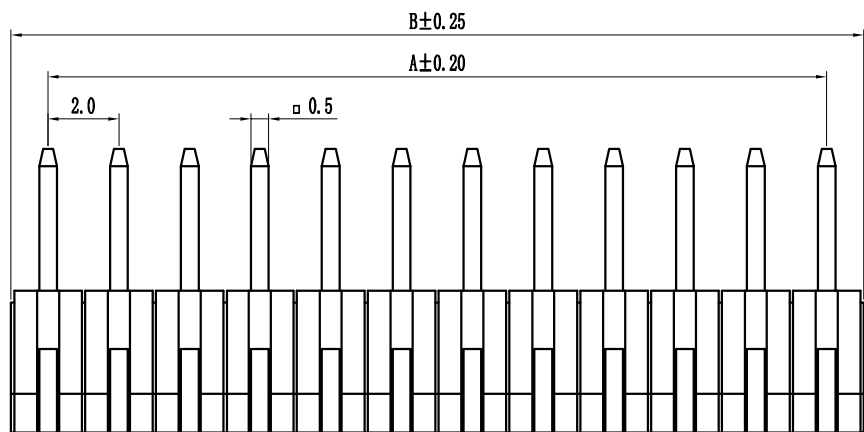
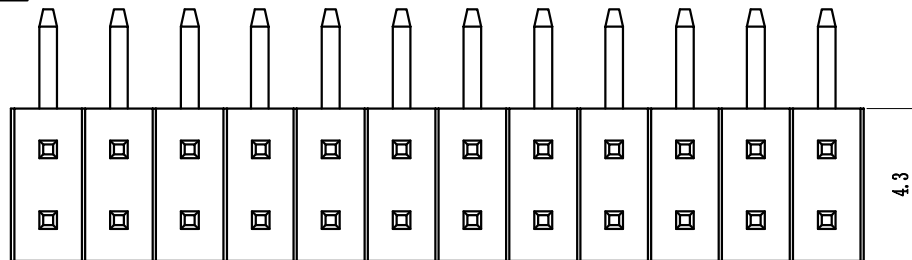
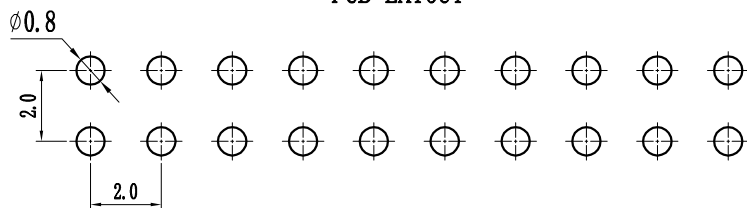


环保物料

Pin数	尺寸A	尺寸B
2x1	-	2.0
2x2	2.0	4.0
2x3	4.0	6.0
2x4	6.0	8.0
2x5	8.0	10.0
2x6	10.0	12.0
2x7	12.0	14.0
2x8	14.0	16.0
2x9	16.0	18.0
2x10	18.0	20.0
2x11	20.0	22.0
2x12	22.0	24.0
2x13	24.0	26.0
2x14	26.0	28.0
2x15	28.0	30.0
2x16	30.0	32.0
2x17	32.0	34.0
2x18	34.0	36.0
2x19	36.0	38.0
2x20	38.0	40.0
2x21	40.0	42.0
2x22	42.0	44.0
2x23	44.0	46.0
2x24	46.0	48.0
2x25	48.0	50.0
2x26	50.0	52.0
2x27	52.0	54.0
2x28	54.0	56.0
2x29	56.0	58.0
2x30	58.0	60.0
2x31	60.0	62.0
2x32	62.0	64.0
2x33	64.0	66.0
2x34	66.0	68.0
2x35	68.0	70.0
2x36	70.0	72.0
2x37	72.0	74.0
2x38	74.0	76.0
2x39	76.0	78.0
2x40	78.0	80.0
2x41	80.0	82.0
2x42	82.0	84.0
2x43	84.0	86.0
2x44	86.0	88.0
2x45	88.0	90.0
2x46	90.0	92.0
2x47	92.0	94.0
2x48	94.0	96.0
2x49	96.0	98.0
2x50	98.0	100.0
2x51	100.0	102.0
2x52	102.0	104.0



PCB LAYOUT



Specification:

Current Rating : 2AMP

Temperature Range : -40°C to +105°C

Contact Resistance : 20mΩ Max

Insulation Resistance : 1000MΩ Min

Withstanding Voltage : AC 500V

Material:

Insulator : Polyester (UL94V-0)

Standard: PBT/PA6T/LCP

Contact: Brass

Plating : Au or Sn Over 50u" Ni

P 20 9D-XXX X X -XX-X-XXX
① ② ③ ④ ⑤ ⑥ ⑦ ⑧ ⑨

① Series No: P=Pin Header F=Female Header B=Box Header E=Ejector Header	② Pitch: 08=0.80 10=1.00 12=L.27 20=2.00 25=2.54 39=3.96 50=5.08	③ Tail/Mounting Style: 9D=Right Angle DIP Type 9S=Straight SMT Type 0D=Straight DIP Type 0S=Horizontal SMT Type	④ No. of Pins: Single Row 101=1*1Pin 102=1*2Pin i i 140=1*40pin 240=2*40pin	⑤ Insulator Color: A:Black B:Brown C:Red D:Orange E:Yellow F:Green G:Blue H:Violet J:Gray K:White P:Light Blue
⑥ Material Type: A-PBT B-PA46 C-PA6T D-PA6T E-LCP	⑦ Plating Type: 0*-Sn-Au 1*-Ni 2*-Sn 3*-Matte-Tin 5*-Au 0A-Sn-Au 1u" 0F-Sn-Au 10u" 5A-Au 1u" 0B-Sn-Au 2u" 0G-Sn-Au 15u" 5B-Au 2u" 0C-Sn-Au 3u" 0H-Sn-Au 30u" 5C-Au 3u" 0D-Sn-Au 4u" 0I-Sn-Au 40u" 0E-Sn-Au 5u" 0J-Sn-Au 50u" 5J-Au 50u"	⑧ RoHS Request: 0:No Request 1:RoHS 2:HF (Halogen Free)	⑨ Customer Code	

		GENERAL TOLERANCES		SCALE:	NAME	DATE
		LINEAR	ANGLES	1:1		
		0.0 ± 0.25	X° REF ± 6°	APPROVED	黎腾	2017.06.16
AO	新图面发行	0.00 ± 0.15	X° ± 3°	DESIGNER	肖坤权	2017.06.16
REV.	REVISION RECORD	0.000 ± 0.08	X° X' ± 2°	DRAWN	旷淇	2017.06.16

康导新能源
 网址: www.dgconne.com 电话: 0769-85337633
 邮箱: 2850175988@qq.com 传真: 0769-85392827

TITLE:
Pitch 2.00mm Pin Header, Single Plastic,
Dual Row, Right Angle Type

PART. NO:	KDPH-0065
DWG. NO:	ENDE0065
REV:	AO
SHEET:	1/1