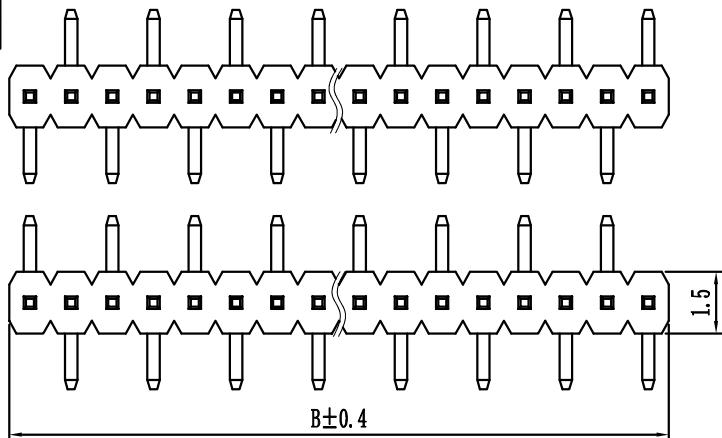
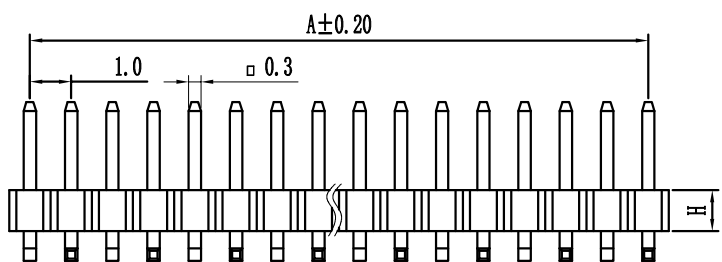


环保物料

Pin数	尺寸A	尺寸B
1x2	1.0	2.0
1x3	2.0	3.0
1x4	3.0	4.0
1x5	4.0	5.0
1x6	5.0	6.0
1x7	6.0	7.0
1x8	7.0	8.0
1x9	8.0	9.0
1x10	9.0	10.0
1x11	10.0	11.0
1x12	11.0	12.0
1x13	12.0	13.0
1x14	13.0	14.0
1x15	14.0	15.0
1x16	15.0	16.0
1x17	16.0	17.0
1x18	17.0	18.0
1x19	18.0	19.0
1x20	19.0	20.0
1x21	20.0	21.0
1x22	21.0	22.0
1x23	22.0	23.0
1x24	23.0	24.0
1x25	24.0	25.0
1x26	25.0	26.0
1x27	26.0	27.0
1x28	27.0	28.0
1x29	28.0	29.0
1x30	29.0	30.0
1x31	30.0	31.0
1x32	31.0	32.0
1x33	32.0	33.0
1x34	33.0	34.0
1x35	34.0	35.0
1x36	35.0	36.0
1x37	36.0	37.0
1x38	37.0	38.0
1x39	38.0	39.0
1x40	39.0	40.0
1x41	40.0	41.0
1x42	41.0	42.0
1x43	42.0	43.0
1x44	43.0	44.0
1x45	44.0	45.0
1x46	45.0	46.0
1x47	46.0	47.0
1x48	47.0	48.0
1x49	48.0	49.0
1x50	49.0	50.0



TYPE 1



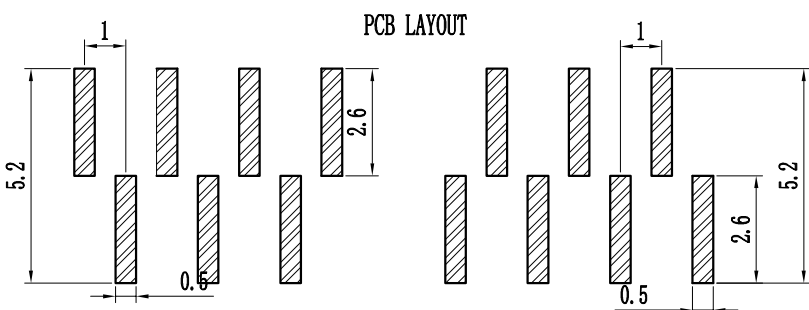
TYPE 2

Height
H=1.0mm
H=1.5mm

Specification:
 Current Rating : 0.75AMP
 Temperature Range : -40°Cto+105°C
 Contact Resistance : 30mΩ Max
 Insulation Resistance : 1000MΩ Min
 Withstanding Voltage : AC 500V

Material:
 Insulator : Polyester (UL94V-0)
 Standard:PA6T/LCP

Contact: Brass
 Plating : Au or Sn Over 50u" Ni



TYPE 2

TYPE 1

P 10 9S-XXX X X-XX-X-XXX
 ① ② ③ ④ ⑤ ⑥ ⑦ ⑧ ⑨

① Series No: P=Pin Header F=Female Header B=Box Header E=Ejector Header	② Pitch: 08=0.80 10=1.00 12=1.27 20=2.00 25=2.54 39=3.96 50=5.08	③ Tail&Mounting Style: 9D=Right Angle DIP Type 9S=Straight SMT Type 0D=Straight DIP Type 0S=Horizontal SMT Type	④ No. of Pins: Single Row Double Row 101=1*1Pin 201=2*1Pin 102=1*2Pin 202=2*2Pin 140=1*40pin 240=2*40pin	⑤ Insulator Color: A:Black B:Brown C:Red D:Orange E:Yellow F:Green G:Blue H:Violet J:Gray K:White P:Light Blue
---	---	---	--	--

⑥ Material Type: A-PBT B-PA46 C-PA6T D-PA9T E-LCP	⑦ Plating Type: 0*-Sn-Au 1*-Ni 2*-Sn 3*-Matte-Tin 5*-Au 0A-Sn-Au 1u" 0F-Sn-Au 10u" 5A-Au 1u" 0B-Sn-Au 2u" 0C-Sn-Au 15u" 5B-Au 2u" 0C-Sn-Au 3u" 0H-Sn-Au 30u" 5C-Au 3u" 0D-Sn-Au 4u" 0I-Sn-Au 40u" ! 0E-Sn-Au 5u" 0J-Sn-Au 50u" 5J-Au 50u"	⑧ RoHS Request: 0:No Request 1:RoHS 2:HF (Halogen Free)	⑨ Customer Code
--	---	--	-----------------

GENERAL TOLERANCES		SCALE: 1:1	NAME	DATE
LINEAR		ANGLES	APPROVED	黎腾
0.0±0.25		X° REF±6°	DESIGNER	肖坤权
0.00±0.15		X° ±3°	DRAWN	旷淇
0.000±0.08		X° X'±2°		

康导新能源
 网址: www.dgonne.com 电话: 0769-85337633
 邮箱: 2850175966@qq.com 传真: 0769-85392827

TITLE:
Pitch1.0mm Pin Header, Single Plastic,
Single Row, SMT Type

PART. NO: KDPH-0007
DWG. NO: ENDE0007
REV: AO SHEET: 1/1