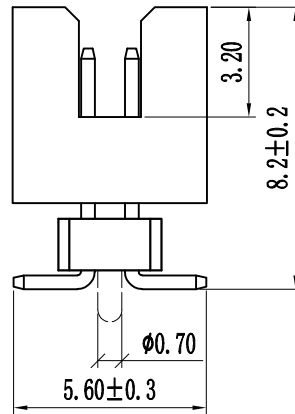
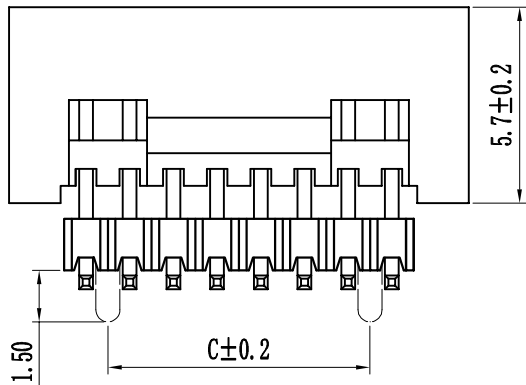
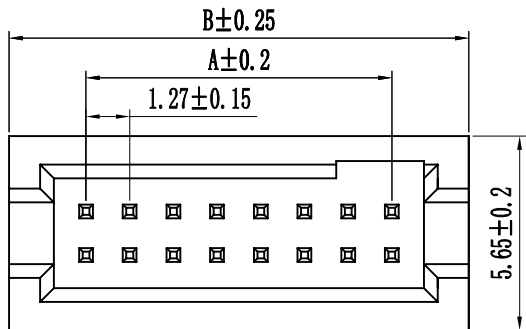
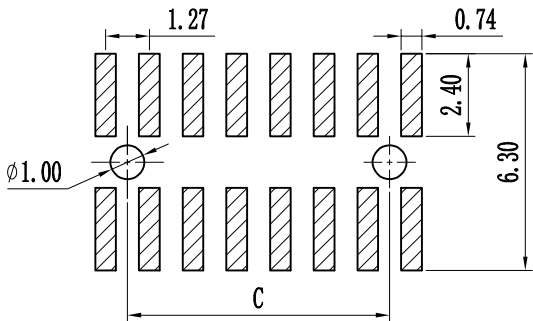


环保物料

Pin数	尺寸A	尺寸B	尺寸C
2x5	5.08	9.55	8.89
2x6	6.35	10.82	10.16
2x7	7.62	12.09	11.43
2x8	8.89	13.36	12.70
2x9	10.16	14.63	13.97
2x10	11.43	15.90	15.24
2x11	12.70	17.17	16.51
2x12	13.97	18.44	17.78
2x13	15.24	19.71	19.05
2x14	16.51	20.98	20.32
2x15	17.78	22.25	21.59
2x16	19.05	23.52	22.86
2x17	20.32	24.79	24.13
2x18	21.59	26.06	25.40
2x19	22.86	27.33	26.67
2x20	24.13	28.60	27.94
2x21	25.40	29.87	29.21
2x22	26.67	31.14	30.48
2x23	27.94	32.41	31.75
2x24	29.21	33.68	33.02
2x25	30.48	34.95	34.29
2x26	31.75	36.22	35.56
2x27	33.02	37.49	36.83
2x28	34.29	38.76	38.10
2x29	35.56	40.03	39.37
2x30	36.83	41.30	40.64
2x31	38.10	42.57	41.91
2x32	39.37	43.84	43.18
2x33	40.64	45.11	44.45
2x34	41.91	46.38	45.72
2x35	43.18	47.65	46.99
2x36	44.45	48.92	48.26
2x37	45.72	50.19	49.53
2x38	46.99	51.46	50.80
2x39	48.26	52.73	52.07
2x40	49.53	54.00	53.34
2x41	50.80	55.27	54.61
2x42	52.07	56.54	55.88
2x43	53.34	57.81	57.15
2x44	54.61	59.08	58.42
2x45	55.88	60.35	59.69
2x46	57.15	61.62	60.96
2x47	58.42	62.89	62.23
2x48	59.69	64.16	63.50
2x49	60.96	65.43	64.77
2x50	62.23	66.70	66.04



PCB LAYOUT



Specification:

Current Rating : 1AMP

Temperature Range : -40°Cto+105°C

Contact Resistance : 20mΩ Max

Insulation Resistance : 1000MΩ Min

Withstanding Voltage : AC 500V

Material:

Insulator : Polyester (UL94V-0)

Standard:PA6T/LCP

Contact: Brass

Plating : Au or Sn Over 50u" Ni

B 12 9S-XXX X X-XX-X-XXX
① ② ③ ④ ⑤ ⑥ ⑦ ⑧ ⑨

① Series No:	② Pitch:	③ Tail/Mounting Style:	④ No. of Pins:	⑤ Insulator Color:
P=Pin Header	08-0.80	9D-Right Angle DIP Type	Single Row Double Row	A:Black B:Brown C:Red
F=Female Header	10=1.00	9S-Straight SMT Type	101=1x1Pin 201=2x1Pin	D:Orange E:Yellow F:Green
B=Box Header	12=1.27	0D-Straight DIP Type	102=1x2Pin 202=2x2Pin	G:Blue H:Violet J:Gray
E=Ejector Header	20=2.00	0S-Horizontal SMT Type	i i i i	K:White P:Light Blue
	25=2.54		140=1x40pin 240=2x40pin	
	39=3.96			
	50=5.08			

⑥ Material Type:	⑦ Plating Type:	⑧ RoHS Request:	⑨ Customer Code
A-PBT	0*-Sn-Au 1*-Ni 2*-Sn 3*-Matte-Tin 5*-Au	0:No Request	
B-PA46	0A-Sn-Au 1u" 0F-Sn-Au 10u" 5A-Au 1u"	1:RoHS	
C-PA6T	0B-Sn-Au 2u" 0C-Sn-Au 15u" 5B-Au 2u"	2:HF (Halogen Free)	
D-PA9T	0C-Sn-Au 3u" 0H-Sn-Au 30u" 5C-Au 3u"		
E-LCP	0D-Sn-Au 4u" 0I-Sn-Au 40u" i		
	0E-Sn-Au 5u" 0J-Sn-Au 50u" 5J-Au 50u"		

		GENERAL TOLERANCES		SCALE:	NAME	DATE
		LINEAR	ANGLES	1:1	黎腾	2017.06.16
		0.00±0.25	X° REF±6°	APPROVED	肖坤权	2017.06.16
A0	新图面发行	0.00±0.15	X° ±3°	DESIGNER	旷淇	2017.06.16
REV.	REVISION RECORD	0.000±0.08	X° X'±2°	DRAWN		

康导新能源
网址: www.dgconne.com 电话: 0769-8537633
邮编: 2850175688@qq.com 传真: 0769-85362627

PART. NO:	KDBH-0010
DWG. NO:	ENDE2010
REV:	A0
SHEET:	1/1