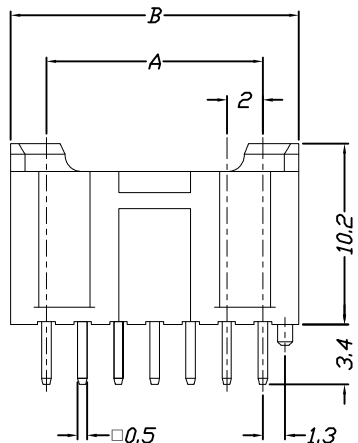


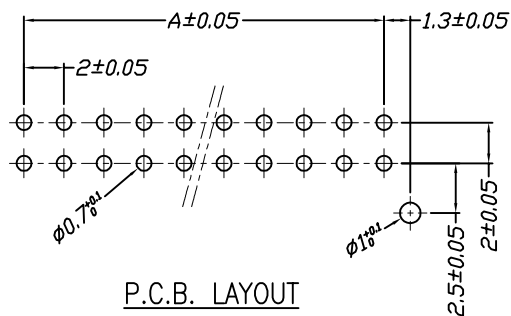
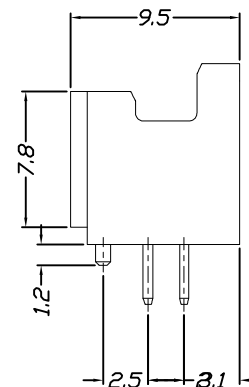
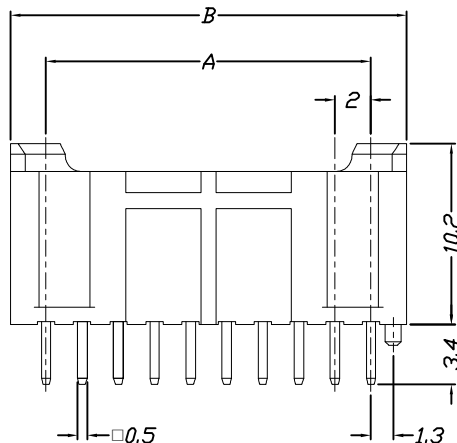
环保物料

Specifications:
 Voltage Rating : 250V AC/DC
 Current Rating : 3A AC,DC
 Withstand Voltage : 800V AC/minute
 Contact Resistance : 10mΩ(MAX.)
 Insulation Resistance : 1000MΩ(MIN.)
 Temperature Range : -25°C~+85°C

<10 to 14 circuits>



<16 to 40 circuits>



Unit: mm

Part No.	Dimensions		Part No.	Dimensions	
	A	B		A	B
2*5P	8.00	12.00	2*10P	18.00	22.00
2*6P	10.00	14.00	2*11P	20.00	24.00
2*7P	12.00	16.00	2*12P	22.00	26.00
2*8P	14.00	18.00	2*20P	38.00	42.00

Material	Color	PIN Material
PBT,UL94V-0	Gray	Brass/Gold&Ni-plated

GENERAL TOLERANCES		SCALE:	NAME	DATE
		1:1		
LINEAR	ANGLES	APPROVED	黎腾	2017.06.16
0.0±0.25	X° REF±6°	DESIGNER	肖坤权	2017.06.16
0.00±0.15	X° ±3°	DRAWN	旷洪	2017.06.16
REV.	REVISION RECORD	DATE	UNIT: MM	SIZE: A4
AO	新图面发行	2017.06.16		

康导新能源 网址: www.dgoonne.com 电话: 0768-85337833 邮箱: 2850176888@qq.com 传真: 0768-85382827	PART. NO:	42006W00-2XNP*-A1-**	
	DWG. NO:	ENDE05	
TITLE:	2.00mm pitch Dual Wafer		
REV:	AO	SHEET:	1/1