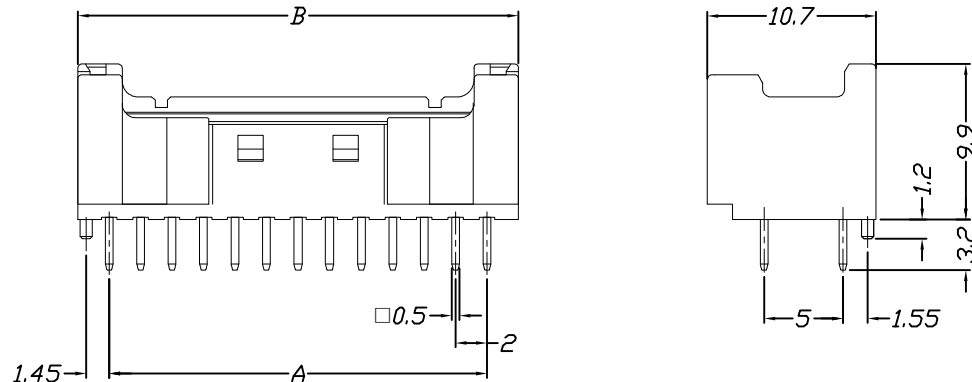
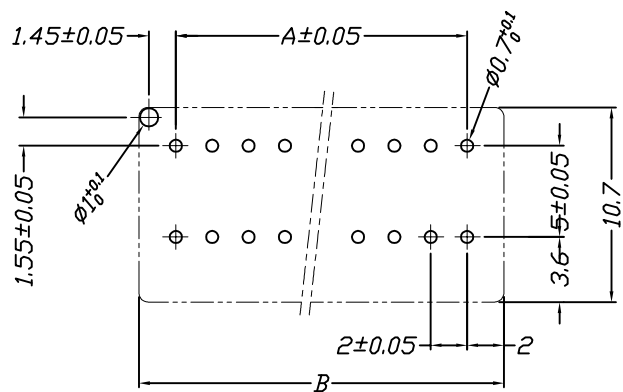


环保物料



Specifications:
 Voltage Rating : 250V AC/DC
 Current Rating : 3A AC,DC
 Withstand Voltage : 800V AC/minute
 Contact Resistance : 10mΩ(MAX.)
 Insulation Resistance : 1000MΩ(MIN.)
 Temperature Range : -25°C~+85°C

Unit: mm



P.C.B. LAYOUT

Part No.	Dimensions		Part No.	Dimensions	
	A	B		A	B
2*4P	6.00	10.00	2*13P	24.00	28.00
2*5P	8.00	12.00	2*14P	26.00	30.00
2*6P	10.00	14.00	2*15P	28.00	32.00
2*7P	12.00	16.00	2*16P	30.00	34.00
2*8P	14.00	18.00	2*17P	32.00	36.00
2*9P	16.00	20.00	2*18P	34.00	38.00
2*10P	18.00	22.00	2*19P	36.00	40.00
2*11P	20.00	24.00	2*20P	38.00	42.00
2*12P	22.00	26.00	2*21P	40.00	44.00

Material	Color	PIN Material
PA66,UL94V-0	Gray	Brass/Gold&Ni-plated

GENERAL TOLERANCES		SCALE:	NAME	DATE	
		1:1	黎腾	2017.06.16	
LINEAR	ANGLES	APPROVED	肖坤权	2017.06.16	
0.0±0.25	X° REF±6°	DESIGNER	旷淇	2017.06.16	
0.00±0.15	X° ±3°	DRAWN			
REV.	REVISION RECORD	DATE	SIZE: A4	0.000±0.08	X° X'±2°

康导新能源
 网址: www.dgoonne.com 电话: 0769-85337633
 邮箱: 2850175986@qq.com 传真: 0769-85392827

TITLE:
2.00mm pitch Dual Wafer

PART NO:	42009W00-2XNP*-A1-**	
DWG NO:	ENDE05	
REV:	A0	SHEET: 1/1