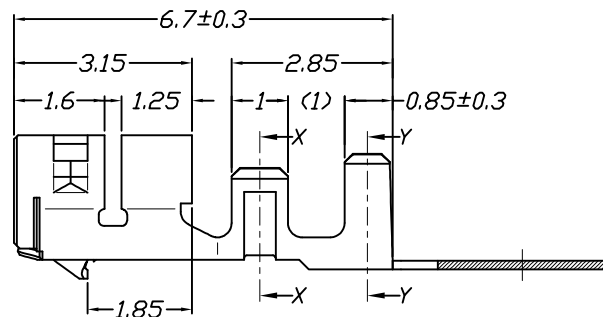
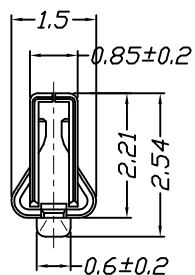
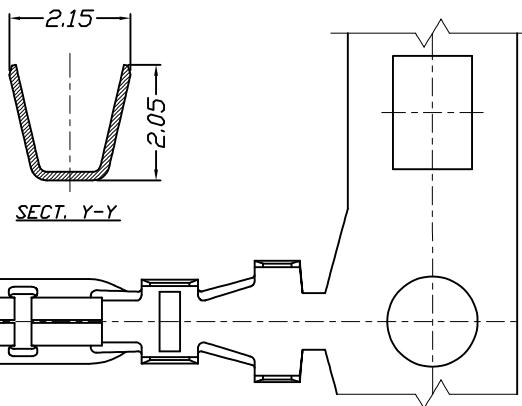
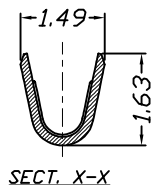


环保物料



Specifications:

Voltage Rating : 125V AC/DC

Current Rating : 2A AC,DC

Withstand Voltage : 1250V AC/minute

Contact Resistance : 40mΩ(MAX.)

Insulation Resistance : 1000MΩ(MIN.)

Temperature Range : -40°C~+105°C

Ordering Information & Specifications

Part No	Wire Range	Insulation O. D.	Material	Finish
42014T0 P-**	AWG#22	1.5mm	Phosphor Bronze	Au or Sn

Unit: mm

GENERAL TOLERANCES		SCALE:	NAME	DATE	康导新能源 网址: www.dgonne.com 电话: 0769-853377633 邮箱: 2850175998@qq.com 传真: 0769-853922827	PART. NO: 42014TOP-**
LINEAR	ANGLES	1:1	APPROVED	黎腾		
0.00±0.25	X° REF±6°		DESIGNER	肖坤权	2017.06.16	DWG. NO: ENDE05
0.00±0.15	X° ±3°		DRAWN	旷淇	2017.06.16	REV: AO SHEET: 1/1
0.000±0.08	X° X'±2°					

TITLE:
2.00mm pitch Crimp Terminal

A
B
C
D
E
F
G
H

A
B
C
D
E
F
G
H

1 2 3 4 5 6 7 8

1 2 3 4 5 6 7 8