

环保物料

Specifications:

Voltage Rating : 125V AC/DC

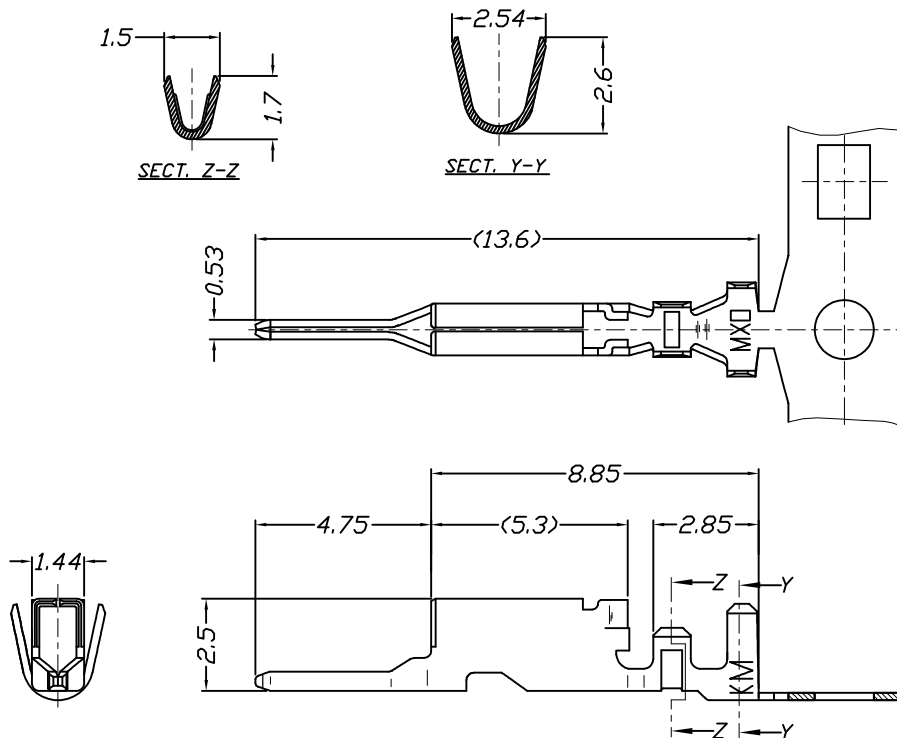
Current Rating : 2A AC,DC

Withstand Voltage : 1250V AC/minute

Contact Resistance : 40mΩ(MAX.)

Insulation Resistance : 1000MΩ(MIN.)

Temperature Range : -40°C~+105°C



Ordering Information & Specifications

Part No	Wire Range	Insulation O. D.	Material	Finish
32014T0 P-**	AWG#22	1.5mm	Phosphor Bronze	Au or Sn

Unit: mm

		GENERAL TOLERANCES		SCALE:	NAME	DATE	康导新能源 网址: www.dgonne.com 电话: 0769-853377633 邮箱: 2850175998@qq.com 传真: 0769-853922827	PART. NO:	
		LINEAR	ANGLES	1:1	黎腾	2017.06.16		32014TOP-**	
AO	新图面发行	2017.06.16	UNIT: MM	0.00±0.15	X° ±3°	DESIGNER	肖坤权	2017.06.16	DWG. NO:
REV.	REVISION RECORD	DATE	SIZE: A4	0.000±0.08	X° X'±2°	DRAWN	旷淇	2017.06.16	ENDE05
						TITLE:		REV: AO SHEET: 1/1	
						2.00mm pitch Crimp Terminal			