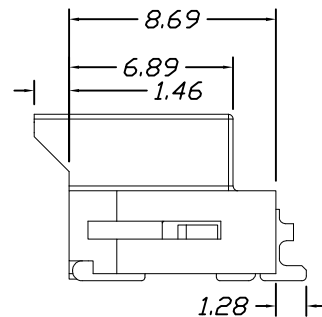
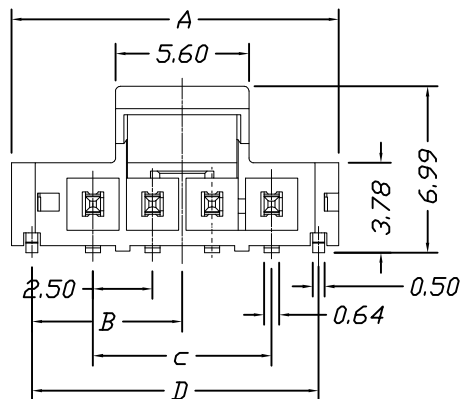
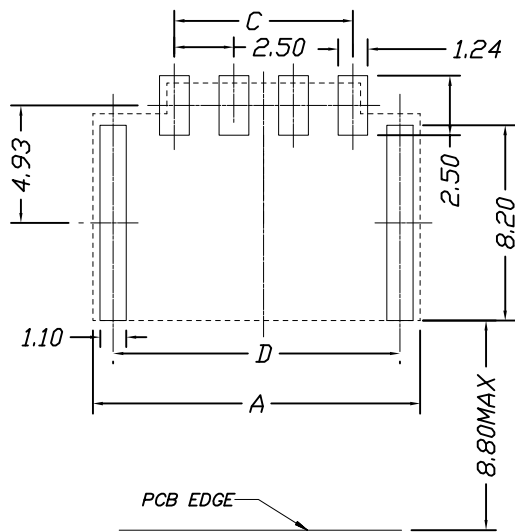
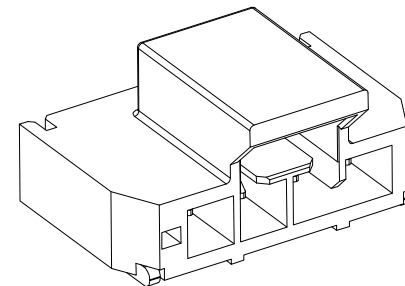


# 环保物料



Specifications:  
 Voltage Rating : 250V AC/DC  
 Current Rating : 3A AC,DC  
 Withstand Voltage : 1500V AC/minute  
 Contact Resistance : 40mΩ(MAX.)  
 Insulation Resistance : 1000MΩ(MIN.)  
 Temperature Range : -40°C~+105°C



RECOMMENDED PCB LAYOUT(CONNECTOR SIDE VIEW)  
 THICKNESS=1.60mm MIN. TOLERANCE:0.05

Poles	Dimensions			
	A	B	C	D
2P	8.74	3.82	2.50	7.04
3P	11.24	5.07	5.00	9.54
4P	13.74	6.32	7.50	12.04
5P	16.24	7.57	10.00	14.54
6P	18.74	8.82	12.50	17.04
7P	21.24	10.07	15.00	19.54
8P	23.74	11.32	17.50	22.04

Material	Color	PIN Material
LCP	Black	Brass

REV.	REVISION RECORD	DATE	SIZE: A4	GENERAL TOLERANCES		SCALE: 1:1	NAME	DATE	康导新能源 网址: www.dgconne.com 电话: 0769-85337633 邮箱: 2850175986@qq.com 传真: 0769-85392827	PART. NO: 42508W90-NPX-A2-XX	DWG. NO:	REV: A0	SHEET: 1/1
				LINEAR	ANGLES								
A0	新图面发行	2017.06.16	UNIT: MM	0.00±0.15	X° ±3°	APPROVED	黎腾	2017.06.16	康导新能源 网址: www.dgconne.com 电话: 0769-85337633 邮箱: 2850175986@qq.com 传真: 0769-85392827	PART. NO: 42508W90-NPX-A2-XX	DWG. NO:	REV: A0	SHEET: 1/1
				0.0±0.25	X° REF±6°	DESIGNER	肖坤权	2017.06.16					
				0.000±0.08	X° X'±2°	DRAWN	旷淇	2017.06.16					