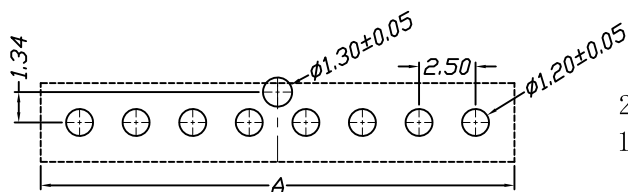
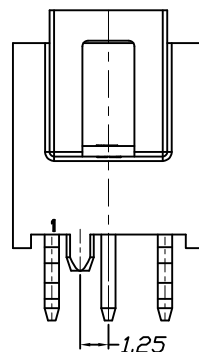
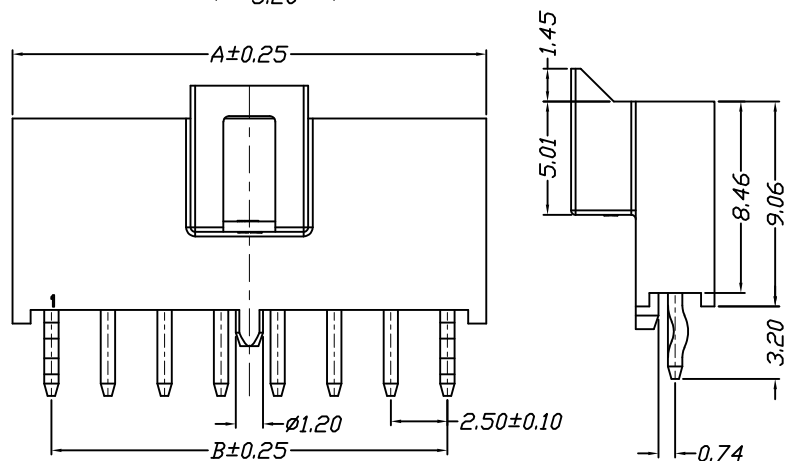
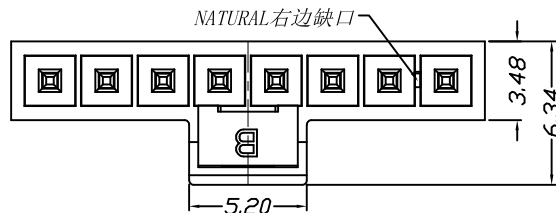
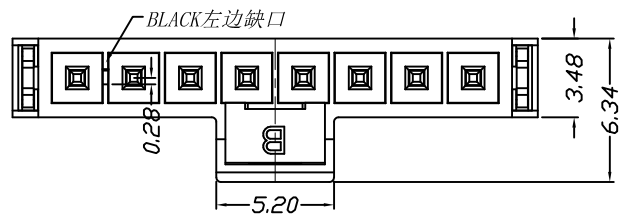


环保物料

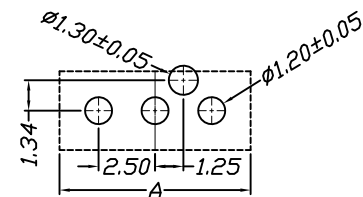
42508W00-NPX-B3-XX

42508W01-NPX-B3-XX

Specifications:
 Voltage Rating : 250V AC/DC
 Current Rating : 6.5A AC,DC
 Withstand Voltage : 1500V AC/minute
 Contact Resistance : 10mΩ(MAX.)
 Insulation Resistance : 1000MΩ(MIN.)
 Temperature Range : -40°C~+105°C



2P、4P、6P、8P、
10P参考此图



3P、5P、7P参考此图

Recommended PCB pattern
 THICKNESS=1.6 TO 2.4mm

| Circuits Part No | Dimensions | |
|---------------------|------------|-------|
| | A | B |
| 2P | 5.94 | 2.50 |
| 3P | 8.44 | 5.00 |
| 4P | 10.94 | 7.50 |
| 5P | 13.44 | 10.00 |
| 6P | 15.94 | 12.50 |
| 7P | 18.44 | 15.00 |
| 8P | 20.94 | 17.50 |
| 10P | 25.94 | 22.50 |

| Material | Color | PIN Material |
|----------|---------------|--------------|
| LCP | NATURAL/Black | Brass |

| REV. | REVISION RECORD | DATE | UNIT: MM | SIZE: A4 | GENERAL TOLERANCES | | SCALE: 1:1 | NAME | DATE |
|------|-----------------|------------|----------|----------|--------------------|----------|---------------|------|------------|
| | | | | | LINEAR | ANGLES | | | |
| A0 | 新图面发行 | 2021.05.30 | MM | A4 | 0.00±0.15 | X° ±3° | APPROVED | 黎腾 | 2021.05.30 |
| | | | | | 0.00±0.08 | X° X'±2° | DESIGNER | 肖坤权 | 2021.05.30 |
| | | | | | | | DRAWN | 旷淇 | 2021.05.30 |



PART NO:
42508W00-NPX-B3-XX

DWG. NO:

TITLE:
2.50mm Pitch 180° Wafer DIP Type

REV: A0 SHEET: 1/1