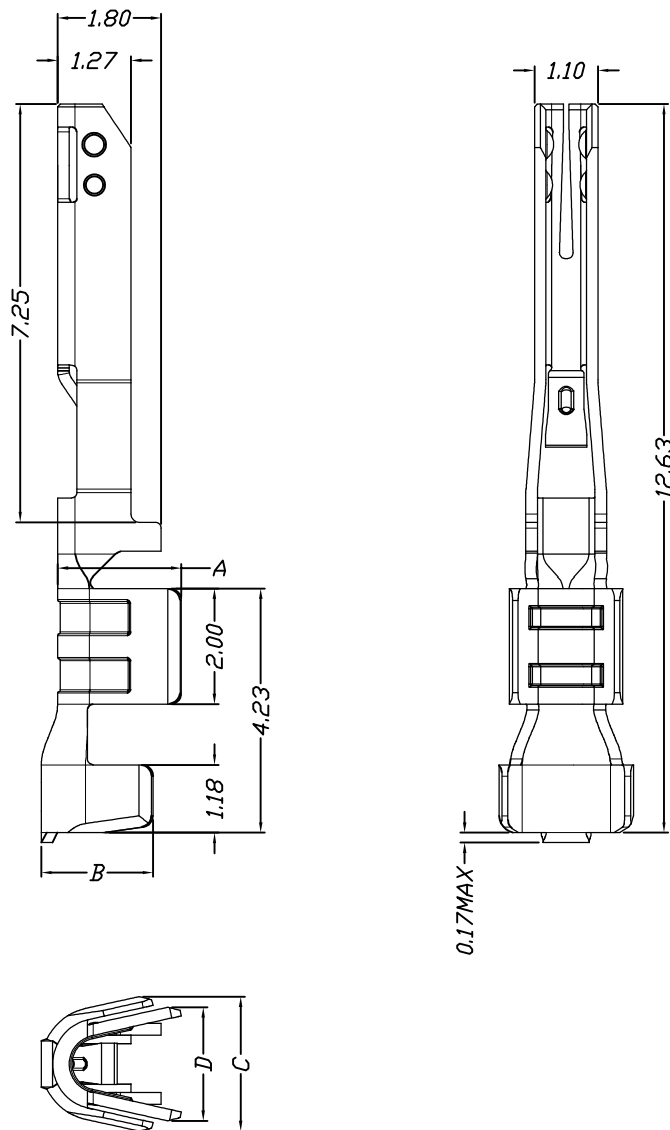


环保物料



Specifications:  
 Voltage Rating : 250V AC/DC  
 Current Rating : 3A AC,DC  
 Withstand Voltage : 1500V AC/minute  
 Contact Resistance : 40mΩ(MAX.)  
 Insulation Resistance : 1000MΩ(MIN.)  
 Temperature Range : -40°C~+105°C

Part No.	Dimensions			
	A	B	C	D
42508TOP-**	2.14	1.94	2.33	1.97
42508T1P-**	1.45	2.00	2.12	1.39

Part No	Wire Range	Insulation O.D.	Material	Finish	Qty/Reel
42508TOP-**	AWG#22~#20	1.50mm (Max)	Phosphor bronze	Au or Sn	
42508T1P-**	AWG#24~#26				

REV.	REVISION RECORD	DATE	SIZE: A4	GENERAL TOLERANCES		SCALE: 1:1	NAME	DATE	康导新能源 网址: www.dgonne.com 电话: 0769-85337633 邮箱: 2850175986@qq.com 传真: 0769-85392627	PART. NO: 42508T*P-XX	DWG. NO: ENDE05	REV: A0	SHEET: 1/1
				LINEAR	ANGLES								
A0	新图面发行	2018. 7. 28	UNIT: MM	0.00±0.25	X° ±3°	APPROVED			TITLE: 2.50mm PITCH Crimp Terminal				
				0.00±0.35	X° REF±6°	DESIGNER							
				0.000±0.15	X° X'±2°	DRAWN	肖坤权	2018. 7. 28					