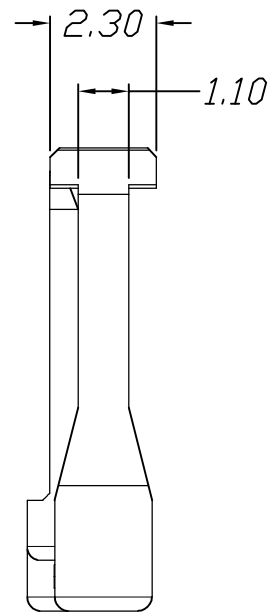
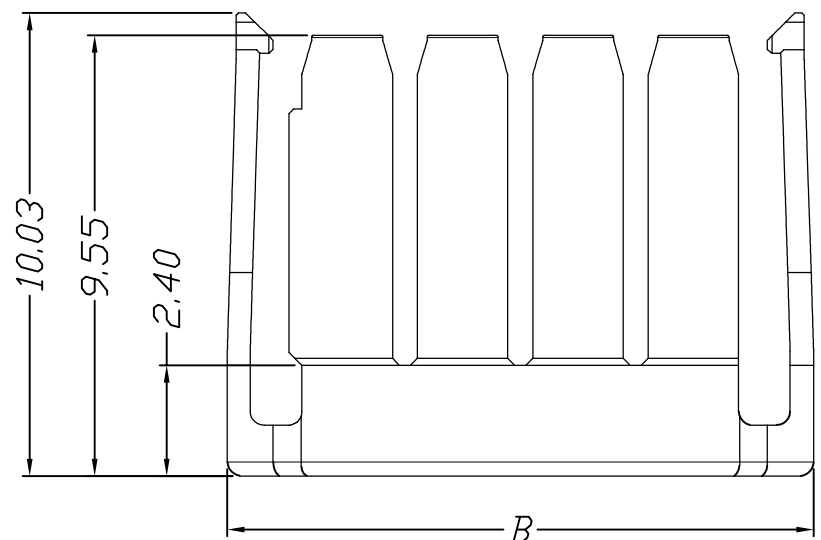
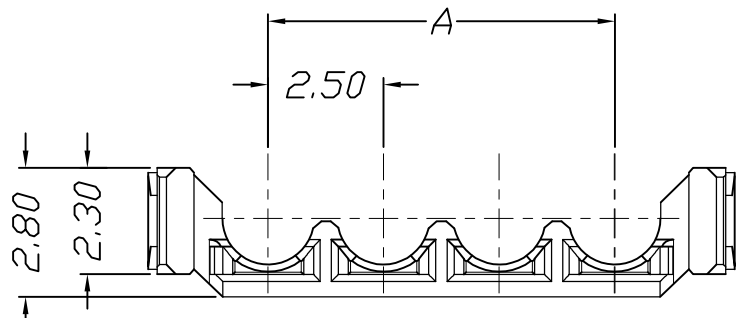



环保物料

Specifications:
 Voltage Rating : 250V AC/DC
 Current Rating : 3A AC,DC
 Withstand Voltage : 1500V AC/minute
 Contact Resistance : 40mΩ(MAX.)
 Insulation Resistance : 1000MΩ(MIN.)
 Temperature Range : -40°C~+105°C



Poles	Dimensions	
	A	B
2P	2.50	7.70
3P	5.00	10.20
4P	7.50	12.70
5P	10.00	15.20
6P	12.50	17.70
7P	15.00	20.20
8P	17.50	22.70

Material	Color
PA66 UL94V-0	BLACK

SCALE: 1:1		NAME		DATE		 康导新能源 网址: www.dgonne.com 电话: 0769-85337633 邮箱: 2850175986@qq.com 传真: 0769-85392627		PART. NO:	
APPROVED								42508R00-NPX-66	
DESIGNER								DWG. NO:	
DRAWN		肖坤权		2018.7.28		TITLE:		ENDE05	
REV.		REVISION RECORD		DATE		SIZE: A4		REV: A0 SHEET: 1/1	
0.00±0.25		X° ±3°		0.00±0.35		X° REF±6°			
0.00±0.15		X° X'±2°		0.0±0.35		X° REF±6°			