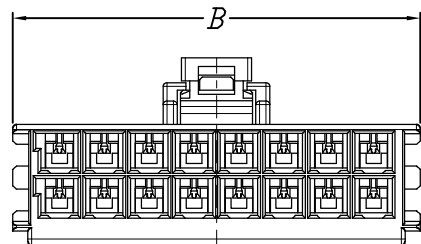
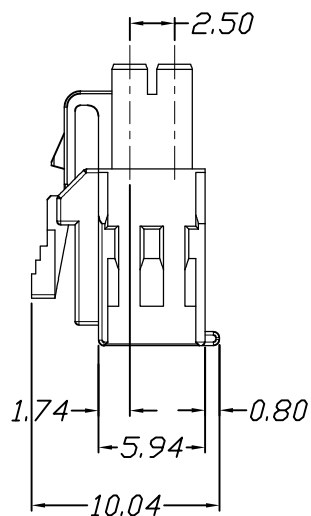
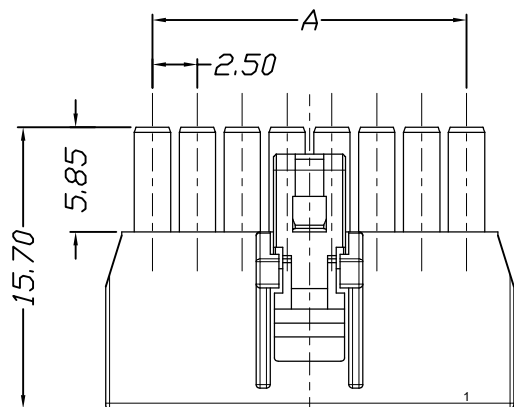
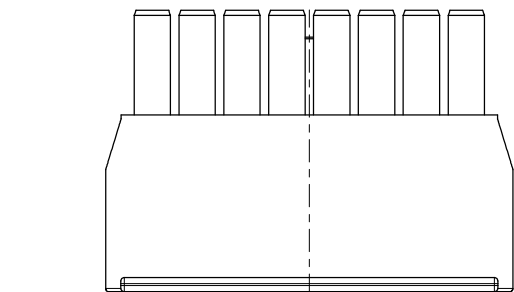
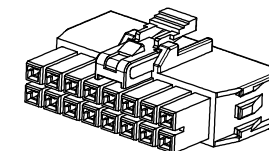


环保物料



Specifications:
 Voltage Rating : 250V AC/DC
 Current Rating : 3A AC,DC
 Withstand Voltage : 1500V AC/minute
 Contact Resistance : 40mΩ(MAX.)
 Insulation Resistance : 1000MΩ(MIN.)
 Temperature Range : -40°C~+105°C



Poles	Dimensions	
	A	B
2*2P	2.50	7.70
2*3P	5.00	10.20
2*4P	7.50	12.70
2*5P	10.00	15.20
2*6P	12.50	17.70
2*7P	15.00	20.20
2*8P	17.50	22.70

Material	Color
PBT UL94V-0	BLACK

REV.	REVISION RECORD	DATE	SIZE: A4	GENERAL TOLERANCES		SCALE: 1:1	NAME	DATE
				LINEAR	ANGLES			
A0	新图面发行	2017.06.16	UNIT: MM	0.00±0.15	X° ±3°	APPROVED	黎腾	2017.06.16
			SIZE: A4	0.000±0.08	X° X'±2°	DESIGNER	肖坤权	2017.06.16
						DRAWN	旷淇	2017.06.16



PART. NO:	
42508H00-2XNPX-X-PT	
DWG. NO:	
REV:	SHEET:
A0	1/1