

环保物料

Specifications:

Voltage Rating : 250V AC/DC

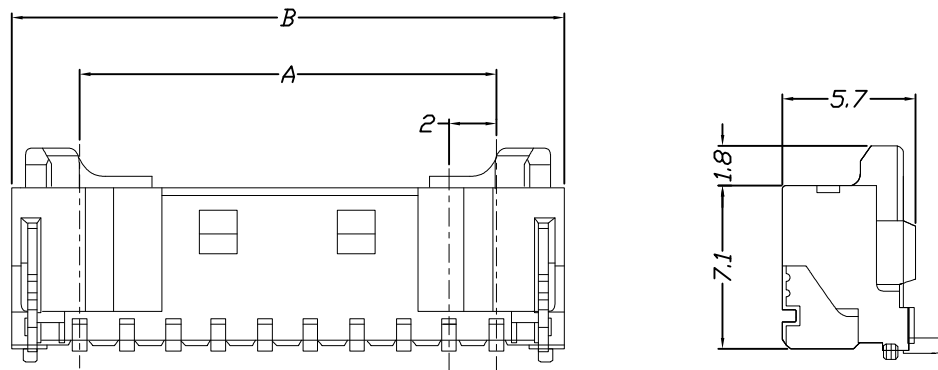
Current Rating : 3A AC,DC

Withstand Voltage : 800V AC/minute

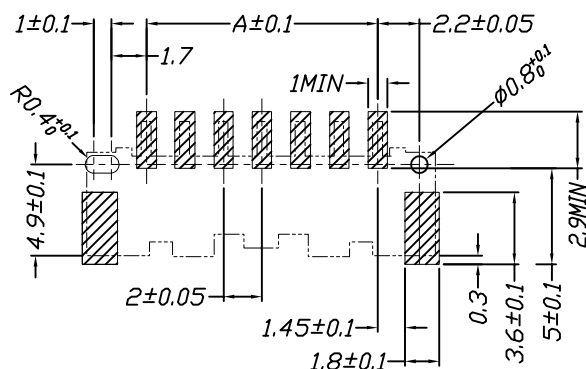
Contact Resistance : 10mΩ(MAX.)

Insulation Resistance : 1000MΩ(MIN.)

Temperature Range : -25°C~+85°C



Unit: mm



P.C.B. LAYOUT

Part No.	Dimensions		Part No.	Dimensions	
	A	B		A	B
2P	2.00	8.00	9P	16.00	22.00
3P	4.00	10.00	10P	18.00	24.00
4P	6.00	12.00	11P	20.00	26.00
5P	8.00	14.00	12P	22.00	28.00
6P	10.00	16.00	13P	24.00	30.00
7P	12.00	18.00	14P	26.00	32.00
8P	14.00	20.00	15P	28.00	34.00

Material	Color	PIN Material
PBT,UL94V-0	Gray	Brass/Gold&Ni-plated

				GENERAL TOLERANCES		SCALE: 1:1	NAME	DATE	<p>康导新能源</p> <p>网址: www.dgoonne.com 电话: 0769-85337          邮箱: 2850175886@qq.com 传真: 0769-85382</p>	PART NO:
				LINEAR	ANGLES	APPROVED	黎腾	2017.06.16		42004W00-NP*-A2-**
				0.0±0.25	X° REF±6°	DESIGNER	肖坤权	2017.06.16		DWG. NO:
A0	新图面发行	2017.06.16	UNIT: MM	0.00±0.15	X° ±3°	DRAWN	旷淇	2017.06.16		ENDE05
REV.	REVISION RECORD	DATE	SIZE: A4	0.000±0.08	X° X'±2°	TITLE: 2.00mm pitch Single Wafer			REV: A0	SHEET: 1/1