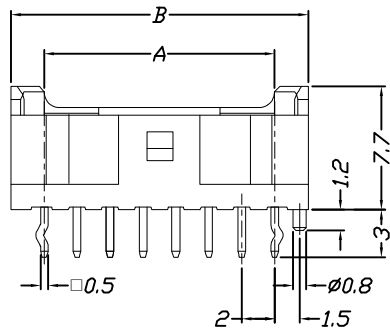


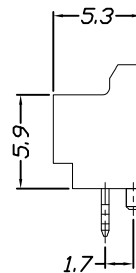
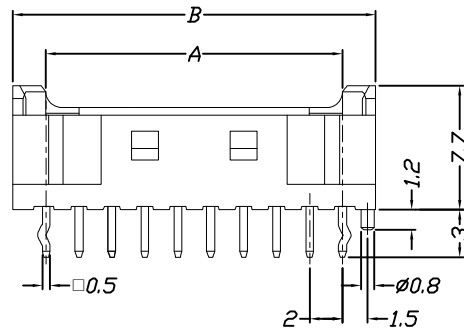
环保物料

Specifications:
 Voltage Rating : 250V AC/DC
 Current Rating : 3A AC,DC
 Withstand Voltage : 800V AC/minute
 Contact Resistance : 10mΩ(MAX.)
 Insulation Resistance : 1000MΩ(MIN.)
 Temperature Range : -25°C~+85°C

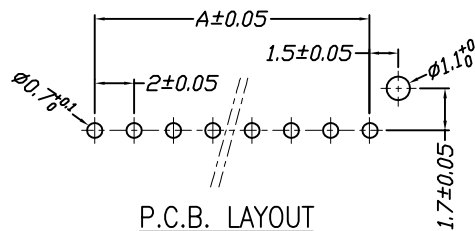
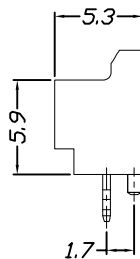
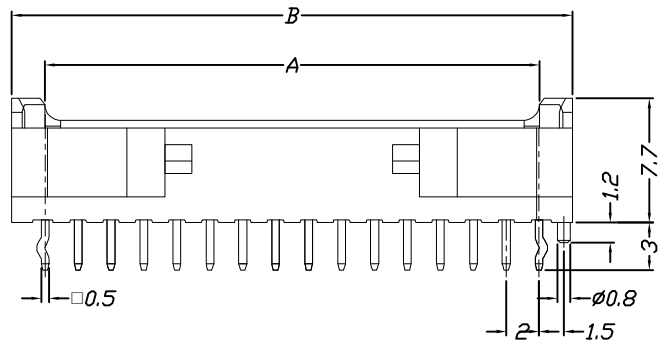
<2 to 9 circuits>



<10 to 15 circuits>



<16 circuits>



Unit: mm

Part No.	Dimensions	
	A	B
2P	2.00	6.00
3P	4.00	8.00
4P	6.00	10.00
5P	8.00	12.00
6P	10.00	14.00
7P	12.00	16.00
8P	14.00	18.00
9P	16.00	20.00
10P	18.00	22.00
11P	20.00	24.00
12P	22.00	26.00
13P	24.00	28.00
14P	26.00	30.00
15P	28.00	32.00
16P	30.00	34.00

Material	Color	PIN Material
PBT,UL94V-0	Gray	Brass/Gold&Ni-plated

REV.	REVISION RECORD	DATE	UNIT: MM	SIZE: A4	GENERAL TOLERANCES		SCALE: 1:1	NAME	DATE
					LINEAR	ANGLES			
AO	新图面发行	2017.06.16	MM	A4	0.00±0.15	X° ±3°	APPROVED	黎腾	2017.06.16
					0.00±0.08	X° X'±2°	DESIGNER	肖坤权	2017.06.16
							DRAWN	旷淇	2017.06.16

康导新能源
 网址: www.dgconne.com 电话: 0760-85337
 邮箱: 2850175686@qq.com 传真: 0760-85392

TITLE:
2.00mm pitch Single Wafer

PART NO:	42004W00-NP*-A1-**	
DWG NO:	ENDE05	
REV:	A0	SHEET: 1/1