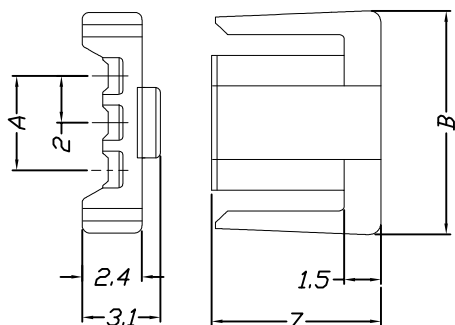


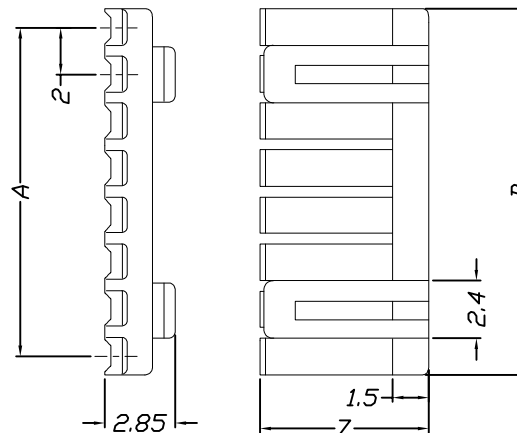
环保物料

Specifications:
 Voltage Rating : 250V AC/DC
 Current Rating : 3A AC,DC
 Withstand Voltage : 800V AC/minute
 Contact Resistance : 10mΩ(MAX.)
 Insulation Resistance : 1000MΩ(MIN.)
 Temperature Range : -25°C~+85°C

<2 to 5 circuits>



<6 to 15 circuits>



Unit: mm

Part No.	Dimensions	
	A	B
2P	2.00	7.30
3P	4.00	9.30
4P	6.00	11.30
5P	8.00	13.30
6P	10.00	11.55
7P	12.00	13.55
8P	14.00	15.55
9P	16.00	17.55
10P	18.00	19.55
15P	28.00	29.55

Material	Color
PA66,UL94V-0	Gray

REV.	REVISION RECORD	DATE	UNIT: MM	GENERAL TOLERANCES		SCALE: 1:1	NAME	DATE
				LINEAR	ANGLES			
A0	新图面发行	2017.06.16	MM	0.00±0.15	X° ±3°	APPROVED	黎腾	2017.06.16
				0.0±0.25	X° REF±6°	DESIGNER	肖坤权	2017.06.16
				0.000±0.08	X° X'±2°	DRAWN	旷淇	2017.06.16

康导新能源
 网址: www.dgonne.com 电话: 0788-85337833
 邮箱: 2850175988@qq.com 传真: 0788-85392827

TITLE:
2.00mm pitch Retainer

PART. NO:	42005R00-NP*-66	
DWG. NO:	ENDE05	
REV:	A0	SHEET: 1/1