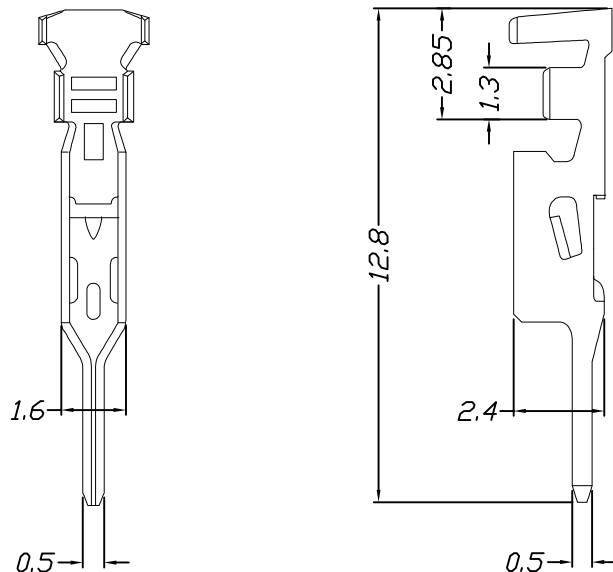


环保物料



Specifications:
 Voltage Rating : 250V AC/DC
 Current Rating : 3A AC,DC
 Withstand Voltage : 800V AC/minute
 Contact Resistance : 10mΩ(MAX.)
 Insulation Resistance : 1000MΩ(MIN.)
 Temperature Range : -25°C~+85°C

Ordering Information & Specifications

Part No	Wire Range	Conductor (mm ²)	Insulation O. D.	Material	Finish
32005T 0P-**	AWG#26 -#22	0.13~0.33	0.9~1.5	Phosphor Bronze	Au or Sn

Unit: mm

GENERAL TOLERANCES		SCALE:	NAME	DATE	 康导新能源 网址: www.dgoonne.com 电话: 0769-85337633 邮箱: 2850178888@qq.com 传真: 0769-85392827	PART. NO:			
LINEAR	ANGLES	1:1	APPROVED	黎腾		2017.06.16	32005TOP-**		
0.0±0.25	X° REF±6°		DESIGNER	肖坤权		2017.06.16	DWG. NO:		
0.00±0.15	X° ±3°		DRAWN	旷淇		2017.06.16	ENDE05		
REV.	REVISION RECORD	DATE	UNIT: MM	SIZE: A4	0.000±0.08	X° X'±2°	TITLE: 2.00mm pitch Crimp Terminal	REV: AO	SHEET: 1/1