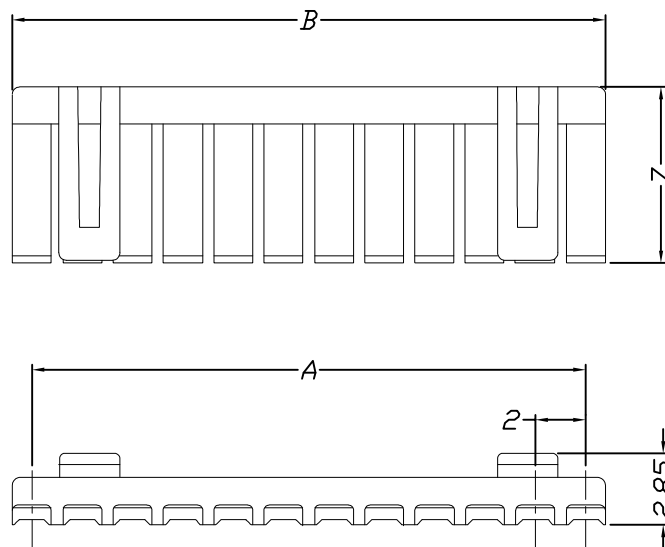


环保物料

Specifications:
 Voltage Rating : 250V AC/DC
 Current Rating : 3A AC,DC
 Withstand Voltage : 800V AC/minute
 Contact Resistance : 10mΩ(MAX.)
 Insulation Resistance : 1000MΩ(MIN.)
 Temperature Range : -25°C~+85°C



Unit: mm

Part No.	Dimensions	
	A	B
5P	8.00	12.30
6P	10.00	14.30
7P	12.00	16.30
8P	14.00	18.30
9P	16.00	20.30
10P	18.00	22.30
11P	20.00	21.55
12P	22.00	23.55
13P	24.00	25.55
15P	28.00	29.55

Material	Color
PA66,UL94V-0	Gray

		GENERAL TOLERANCES		SCALE: 1:1	NAME	DATE	康导新能源 网址: www.dgconne.com 电话: 0769-85337633 邮箱: 2850175988@qq.com 传真: 0769-85392827	PART. NO: 42007R00-2*NP*-66	
		LINEAR	ANGLES	APPROVED	黎腾	2017. 06. 16		DWG. NO: ENDE05	
AO	新图面发行	2017. 06. 16	UNIT: MM	0.00±0.15	X° ±3°	DESIGNER	肖坤权	2017. 06. 16	TITLE: 2.00mm pitch Retainer
REV.	REVISION RECORD	DATE	SIZE: A4	0.000±0.08	X° X'±2°	DRAWN	旷淇	2017. 06. 16	REV: AO SHEET: 1/1