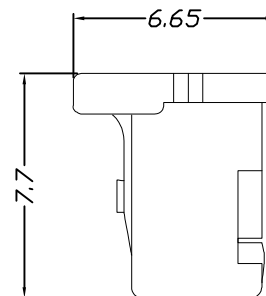
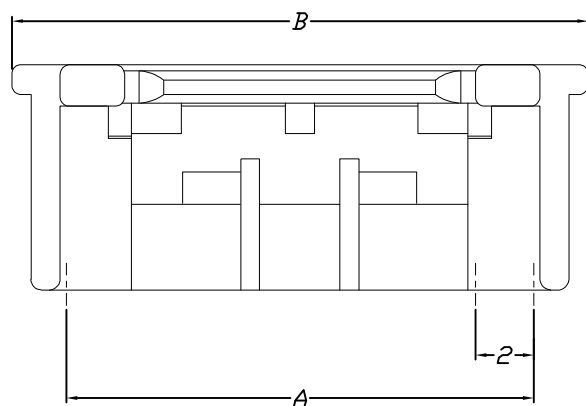


环保物料

Specifications:
 Voltage Rating : 100V AC/DC
 Current Rating : 3A AC,DC
 Withstand Voltage : 800V AC/minute
 Contact Resistance : 10mΩ(MAX.)
 Insulation Resistance : 1000MΩ(MIN.)
 Temperature Range : -25°C~+85°C



Unit: mm

Part No.	Dimensions	
	A	B
2P	-	5.70
3P	4.00	7.70
4P	6.00	9.70
5P	8.00	11.70
6P	10.00	13.70
7P	12.00	15.70
8P	14.00	17.70
9P	16.00	19.70
10P	18.00	21.70

Material	Color
PBT,UL94V-0	Gray

				GENERAL TOLERANCES		SCALE: 1:1	NAME	DATE	康导新能源 网址: www.dgconne.com 电话: 0769-85337633 邮箱: 2850175986@qq.com 传真: 0769-85392827	PART. NO: 42008H00-NP*-PT
				LINEAR	ANGLES					APPROVED
AO	新图面发行	2017.06.16	UNIT: MM	0.00±0.15	X° ±3°	DESIGNER	肖坤权	2017.06.16	TITLE: 2.00mm pitch Single Housing	REV: AO SHEET: 1/1
REV.	REVISION RECORD	DATE	SIZE: A4	0.000±0.08	X° X'±2°	DRAWN	旷淇	2017.06.16		