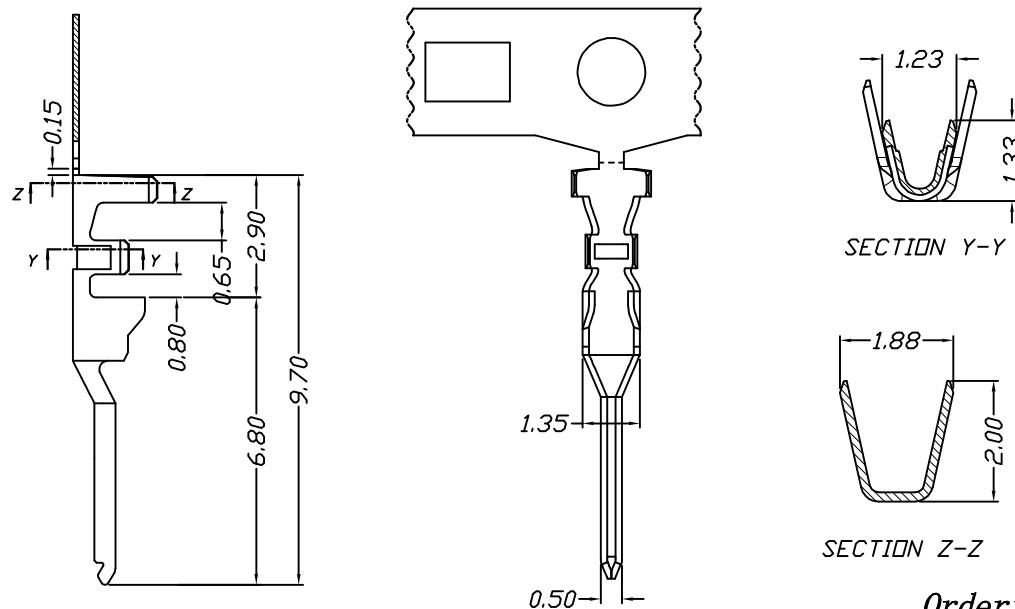


环保物料

Specifications:  
 Voltage Rating : 125V AC/DC  
 Current Rating : 2A AC,DC  
 Withstand Voltage : 500V AC/minute  
 Contact Resistance : 30mΩ(MAX.)  
 Insulation Resistance : 1000MΩ(MIN.)  
 Temperature Range : -40°C~+70°C



**Ordering Information & Specifications**

Part No	Wire Range	Insulation O. D.	Material	Finish
32011T0 P-**	AWG#30 -#24	0.8mm-1.4mm (1.4mm max)	Phosphor Bronze	Au or Sn

Unit: mm

		GENERAL TOLERANCES		SCALE:	NAME	DATE	 <b>康导新能源</b> 网址: www.dgconne.com 电话: 0769-85337633 邮箱: 2850175986@qq.com 传真: 0769-85392827	PART. NO:	
		LINEAR	ANGLES	1:1	APPROVED	黎腾		2017.06.16	32011TOP-**
		0.0±0.25	X° REF±6°		DESIGNER	肖坤权		2017.06.16	DWG. NO:
		0.00±0.15	X° ±3°		DRAWN	旷淇		2017.06.16	ENDE05
AO	新图面发行	2017.06.16	UNIT: MM	0.00±0.15	X° ±3°	TITLE:		2.00mm pitch Crimp Terminal	
REV.	REVISION RECORD	DATE	SIZE: A4	0.000±0.08	X° X'±2°			REV: AO SHEET: 1/1	