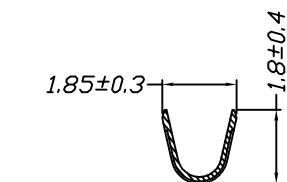
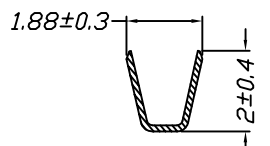


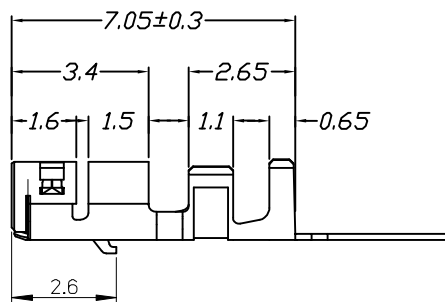
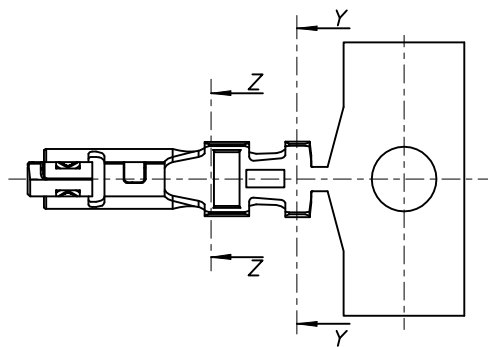
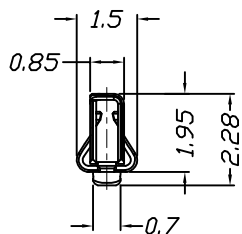
环保物料



SECTION Z-Z



SECTION Y-Y



Specifications:

Voltage Rating : 125V AC/DC

Current Rating : 2A AC,DC

Withstand Voltage : 600V AC/minute

Contact Resistance : 40mΩ(MAX.)

Insulation Resistance : 1000MΩ(MIN.)

Temperature Range : -40°C~+105°C

Ordering Information & Specifications

Part No	Wire Range	Insulation O. D.	Material	Finish
42012T0 P-**	AWG#22	1.4mm	Phosphor Bronze	Au or Sn

Unit: mm

REV.	REVISION RECORD	DATE	UNIT: MM	GENERAL TOLERANCES		SCALE: 1:1	NAME	DATE
				LINEAR	ANGLES			
A0	新图面发行	2017.06.16	MM	0.00±0.15	X° ±3°	APPROVED	黎腾	2017.06.16
				0.00±0.08	X° X'±2°	DESIGNER	肖坤权	2017.06.16
						DRAWN	旷淇	2017.06.16



TITLE:  
2.00mm pitch Crimp Terminal

PART. NO: 42012TOP-**
DWG. NO: ENDE05
REV: A0 SHEET: 1/1