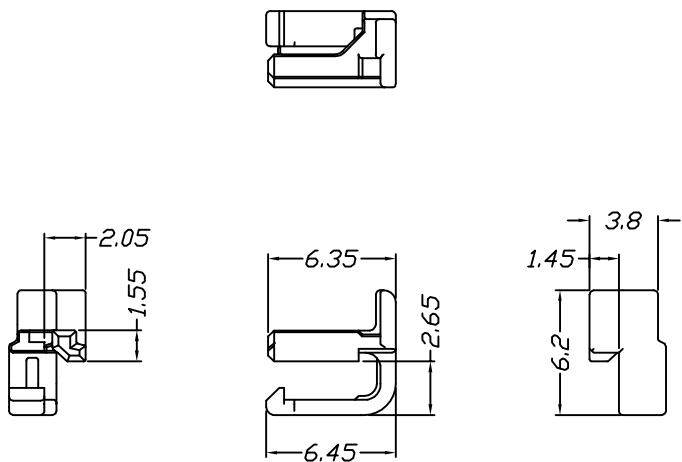


环保物料

Specifications:  
 Voltage Rating : 125V AC/DC  
 Current Rating : 2A AC,DC  
 Withstand Voltage : 600V AC/minute  
 Contact Resistance : 40mΩ(MAX.)  
 Insulation Resistance : 1000MΩ(MIN.)  
 Temperature Range : -40°C~+105°C



Unit: mm

Part No.	Dimensions		Part No.	Dimensions	
	A	B		A	B
2P	6.35	6.45	9P	20.35	6.45
3P	8.35	6.45	10P	22.35	6.45
4P	10.35	6.45	11P	24.35	6.45
5P	12.35	6.45	12P	26.35	6.45
6P	14.35	6.45	13P	28.35	6.45
7P	16.35	6.45	14P	30.35	6.45
8P	18.35	6.45	15P	32.35	6.45

Material	Color
PA66,UL94V-0	Gray

		GENERAL TOLERANCES		SCALE: 1:1	NAME	DATE	<b>康导新能源</b> 网址: www.dgconne.com 电话: 0769-8533763 邮箱: 2850175988@qq.com 传真: 0769-8539282	PART. NO: <b>42012R00-NP*-66</b>	
		LINEAR	ANGLES	APPROVED	黎腾	2017.06.16		DWG. NO: ENDE05	
A0	新图面发行	2017.06.16	UNIT: MM	0.00±0.15	X° ±3°	DESIGNER	肖坤权	2017.06.16	TITLE: <b>2.00mm pitch Retainer</b>
REV.	REVISION RECORD	DATE	SIZE: A4	0.000±0.08	X° X'±2°	DRAWN	旷淇	2017.06.16	REV: A0 SHEET: 1/1