

环保物料

Specifications:

Voltage Rating : 125V AC/DC

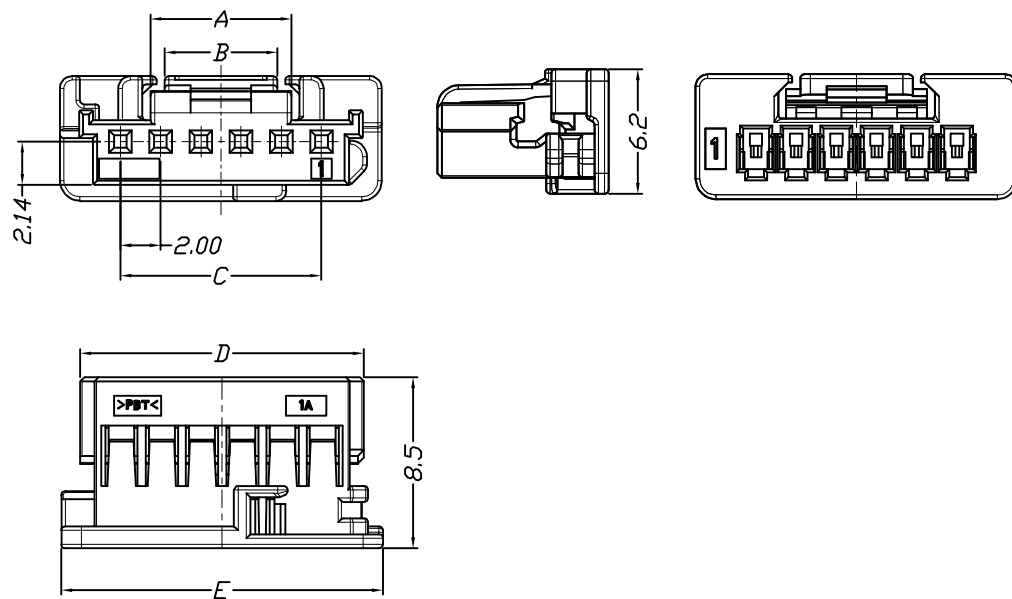
Current Rating : 2A AC,DC

Withstand Voltage : 600V AC/minute

Contact Resistance : 40mΩ(MAX.)

Insulation Resistance : 1000MΩ(MIN.)

Temperature Range : -40°C~+105°C



Unit: mm

Part No.	Dimensions				
	A	B	C	D	E
2P	4.70	3.35	—	6.10	8.00
3P	4.90	3.50	4.00	8.10	10.00
4P	6.90	5.50	6.00	10.10	12.00
5P	7.00	5.50	8.00	12.10	14.00
6P	7.00	5.60	10.00	14.10	16.00
7P	7.00	5.60	12.00	16.10	18.00
8P	7.00	5.60	14.00	18.10	20.00
9P	7.00	5.60	16.00	20.10	22.00
10P	7.00	5.60	18.00	22.10	24.00
11P	7.00	5.60	20.00	24.10	26.00
12P	7.00	5.60	22.00	26.10	28.00
13P	7.00	5.60	24.00	28.10	30.00
14P	7.00	5.60	26.00	30.10	32.00
15P	7.00	5.60	28.00	32.10	34.00

Material	Color
PBT,UL94V-0	Gray

REV.	REVISION RECORD	DATE	UNIT: MM	GENERAL TOLERANCES		SCALE: 1:1	NAME	DATE
				LINEAR	ANGLES			
A0	新图面发行	2017.06.16	MM	0.00±0.15	X° ±3°	APPROVED	黎腾	2017.06.16
				0.0±0.25	X° REF±6°	DESIGNER	肖坤权	2017.06.16
				0.000±0.08	X° X'±2°	DRAWN	旷淇	2017.06.16



康导新能源

网址: www.dgconne.com 电话: 0769-8533763

邮箱: 285017598@qq.com 传真: 0769-8539282

PART. NO:
42012H00-NP*-PT

DWG. NO:
ENDE05

REV: A0 SHEET: 1/1

TITLE:
2.00mm pitch Single Housing