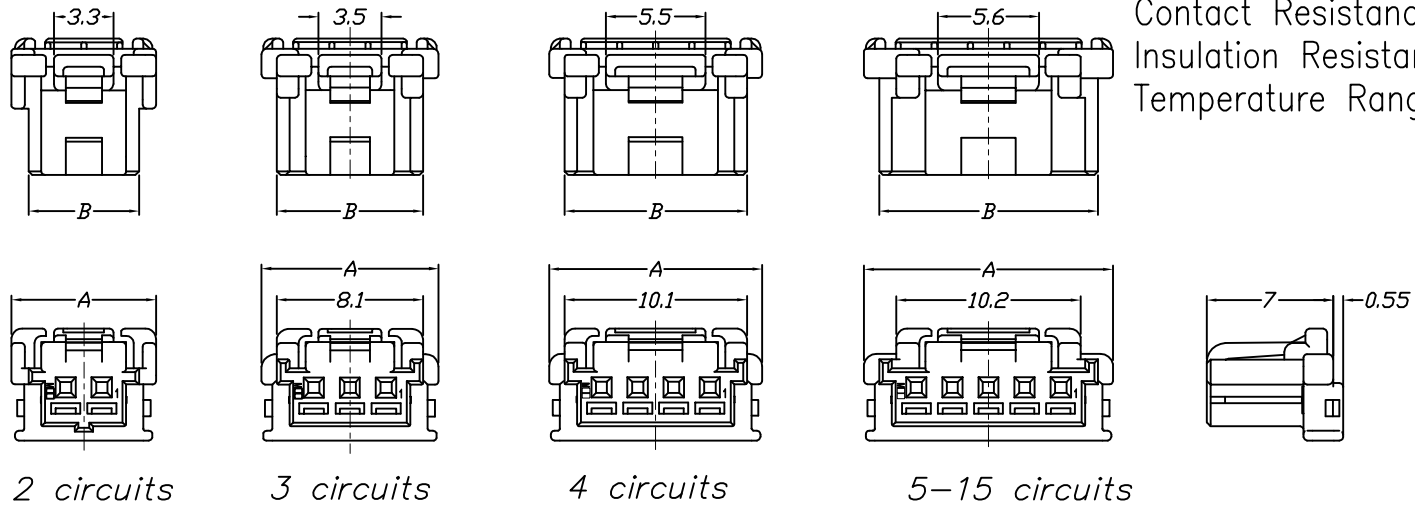


环保物料

Specifications:
 Voltage Rating : 125V AC/DC
 Current Rating : 2A AC,DC
 Withstand Voltage : 600V AC/minute
 Contact Resistance : 40mΩ(MAX.)
 Insulation Resistance : 1000MΩ(MIN.)
 Temperature Range : -40°C~+105°C



Unit: mm

Part No.	Dimensions				Part No.	Dimensions			
	A	B	C	D		A	B	C	D
2P	8.00	6.10	8.00	10.90	9P	21.80	20.10	22.00	22.00
3P	9.80	8.10	10.00	12.60	10P	23.80	22.10	24.00	24.00
4P	11.80	10.10	12.00	14.60	11P	25.80	24.10	26.00	26.00
5P	13.80	12.10	14.00	16.60	12P	27.80	26.10	28.00	28.00
6P	15.80	14.10	16.00	18.60	13P	29.80	28.10	30.00	30.00
7P	17.80	16.10	18.00	20.60	14P	31.80	30.10	32.00	32.00
8P	19.80	18.10	20.00	22.60	15P	33.80	32.10	34.00	34.00

Material	Color
PBT,UL94V-0	Gray

		GENERAL TOLERANCES		SCALE: 1:1	NAME	DATE	康导新能源 网址: www.dgoonne.com 电话: 0769-85337633 邮箱: 2850175986@qq.com 传真: 0769-85392827	PART. NO: 42012H01-NP*-PT	
			LINEAR	ANGLES	APPROVED	黎腾		2017.06.16	DWG. NO: ENDE05
A0	新图面发行	2017.06.16	UNIT: MM	0.00±0.15	X° ±3°	DESIGNER	肖坤权	2017.06.16	TITLE: 2.00mm pitch Single Housing
REV.	REVISION RECORD	DATE	SIZE: A4	0.000±0.08	X° X'±2°	DRAWN	旷淇	2017.06.16	REV: A0 SHEET: 1/1