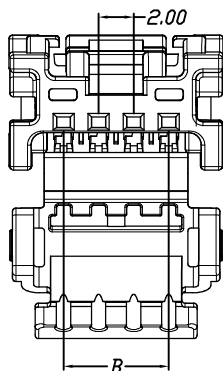
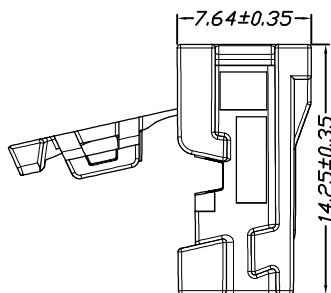
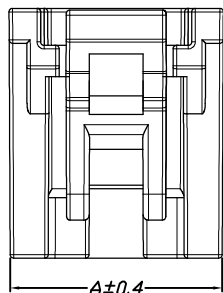


环保物料

Specifications:
 Voltage Rating : 125V AC/DC
 Current Rating : 3A AC,DC
 Withstand Voltage : 600V AC/minute
 Contact Resistance : 40mΩ(MAX.)
 Insulation Resistance : 1000MΩ(MIN.)
 Temperature Range : -40°C~+105°C

42013H00-NP*-S1-PT

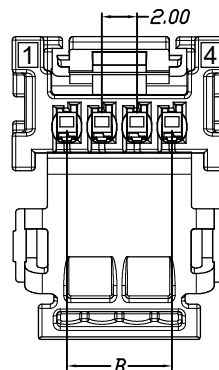
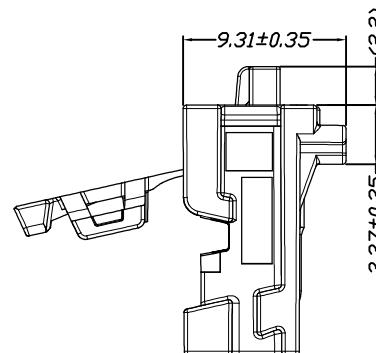
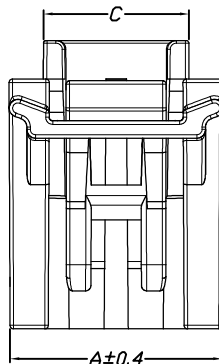
42013H00-NP*-S2-PT



Dimensional Information:

Part No.	Dimensions	
	A	B
2P	8.93	—
4P	12.10	6.00
8P	20.10	14.00

Unit: mm



Dimensional Information:

Part No.	Dimensions		
	A	B	C
2P	8.93	—	8.29
4P	12.10	6.00	8.29
8P	20.10	14.00	8.29

Unit: mm

Material	PBT,UL94V-0	Color	Gray
----------	-------------	-------	------

REV.	REVISION RECORD	DATE	UNIT: MM	GENERAL TOLERANCES		SCALE: 1:1	NAME	DATE
				LINEAR	ANGLES			
A0	新图面发行	2017.06.16	MM	0.00±0.15	X° ±3°	APPROVED	黎腾	2017.06.16
				0.000±0.08	X° X'±2°	DESIGNER	肖坤权	2017.06.16
						DRAWN	旷淇	2017.06.16



PART NO:
42013H00-NP*-**-PT

TITLE:
2.00mm pitch Single Housing

DWG. NO:
ENDE05

REV: A0 SHEET: 1/1