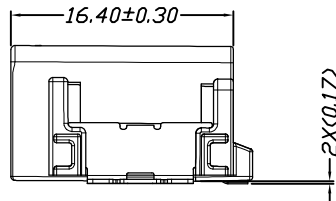
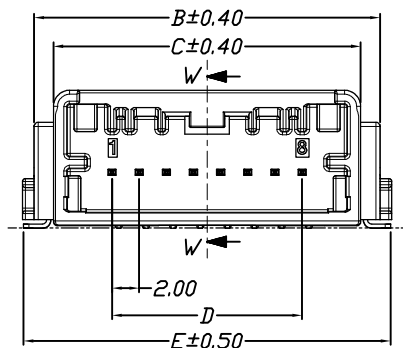
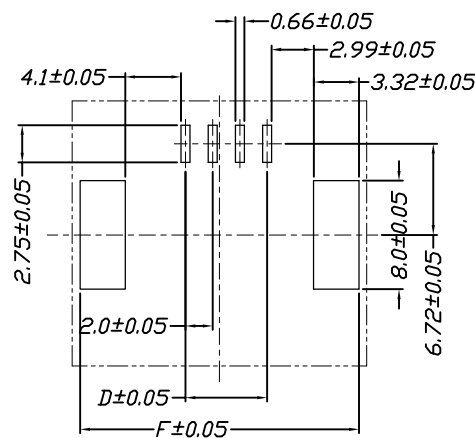
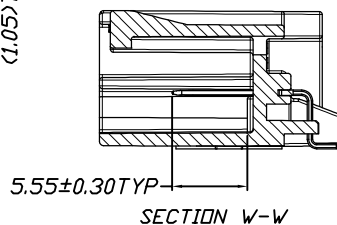
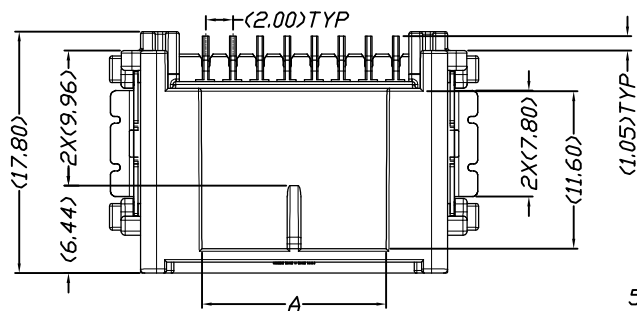


环保物料

Specifications:
 Voltage Rating : 125V AC/DC
 Current Rating : 3A AC,DC
 Withstand Voltage : 600V AC/minute
 Contact Resistance : 40mΩ(MAX.)
 Insulation Resistance : 1000MΩ(MIN.)
 Temperature Range : -40°C~+105°C



Unit: mm

Part No.	Dimensions					
	A	B	C	D	E	F
2P	5.57	14.09	10.62	—	15.64	4.52
4P	5.57	17.48	14.62	6.00	19.04	8.52
8P	12.57	25.49	22.62	14.00	27.04	16.52

Material	Color	PIN Material
PBT,UL94V-0	Gray	Brass/Gold&Ni-plated

REV.	REVISION RECORD	DATE	UNIT: MM	GENERAL TOLERANCES		SCALE: 1:1	NAME	DATE	康导新能源 网址: www.dgonne.com 电话: 0769-8377633 邮箱: 2860176966@qq.com 传真: 0769-83622827	PART. NO: 42013W90-NP*-A2-**
				LINEAR	ANGLES					
A0	新图面发行	2017.06.16	UNIT: MM	0.00±0.15	X° ±3°		黎腾	2017.06.16		
	REVISION RECORD	DATE	SIZE: A4	0.000±0.08	X° X'±2°		肖坤权	2017.06.16	TITLE: 2.00mm pitch Single Wafer	REV: A0 SHEET: 1/1