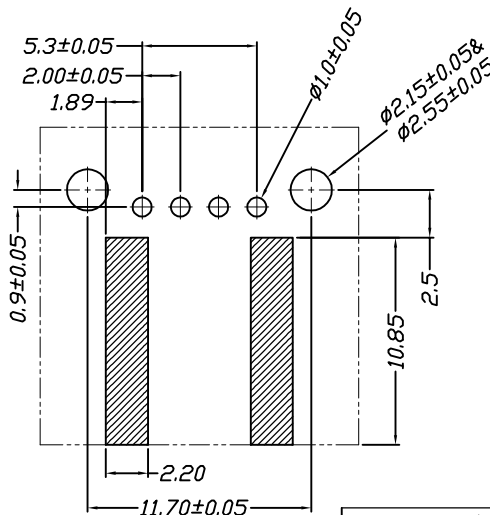
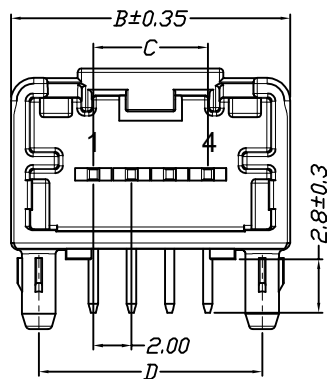
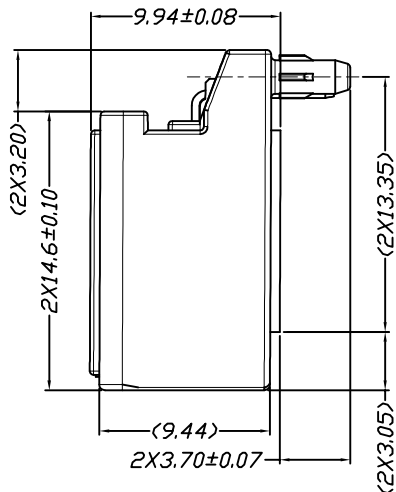
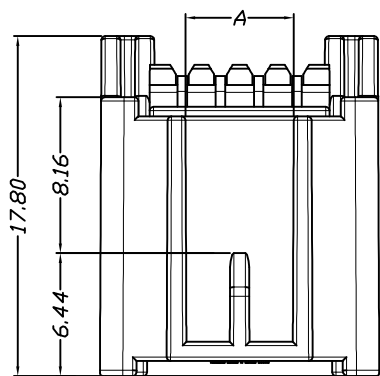


环保物料



Specifications:

Voltage Rating : 125V AC/DC

Current Rating : 3A AC,DC

Withstand Voltage : 600V AC/minute

Contact Resistance : 40mΩ(MAX.)

Insulation Resistance : 1000MΩ(MIN.)

Temperature Range : -40°C~+105°C

Unit: mm

Part No.	Dimensions			
	A	B	C	D
4P	5.67	14.62	6.00	11.70
8P	13.30	22.62	14.00	19.70

Material	Color	PIN Material
PBT,UL94V-0	Gray	Brass/Gold&Ni-plated

REV.	REVISION RECORD	DATE	UNIT: MM	GENERAL TOLERANCES		SCALE: 1:1	NAME	DATE
				LINEAR	ANGLES			
A0	新图面发行	2017.06.16	MM	0.00±0.15	X° ±3°	APPROVED	黎腾	2017.06.16
	REVISION RECORD	DATE	SIZE: A4	0.000±0.08	X° X'±2°	DESIGNER	肖坤权	2017.06.16
						DRAWN	旷淇	2017.06.16


**康导新能源**  
 网址: www.dgonne.com 电话: 0769-8377633  
 邮箱: 2860176966@qq.com 传真: 0769-83622827

TITLE:  
2.00mm pitch Single Wafer

PART NO:	42013W90-NP*-B3-**	
DWG. NO:	ENDE05	
REV:	A0	SHEET: 1/1