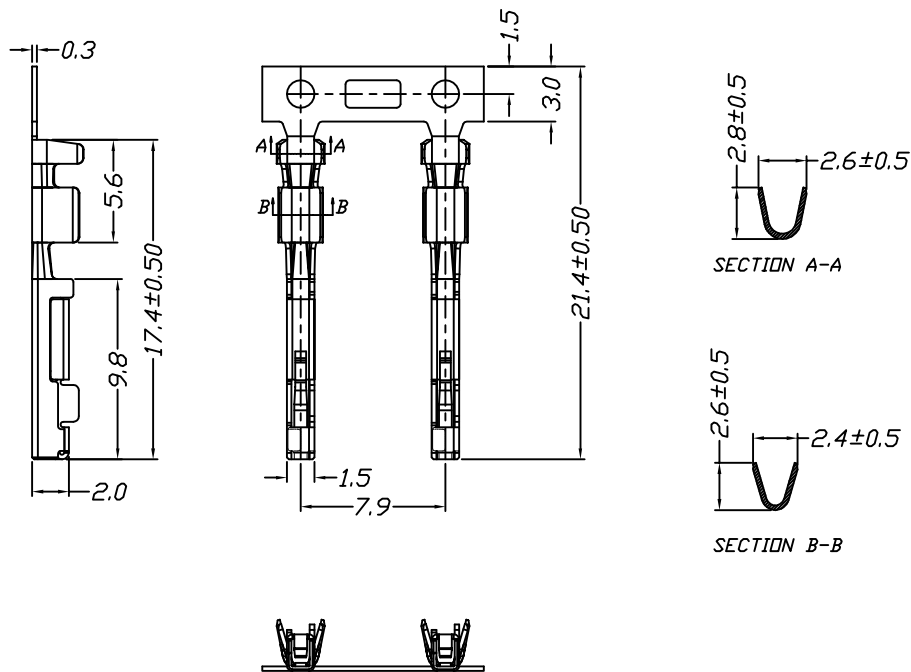


环保物料

Specifications:
 Voltage Rating : 250V AC/DC
 Current Rating : 3A AC,DC
 Withstand Voltage : 650V AC/minute
 Contact Resistance : 30mΩ(MAX.)
 Insulation Resistance : 100MΩ(MIN.)
 Temperature Range : -40°C~+85°C



Ordering Information & Specifications

Part No	Wire Range	Insulation O. D.	Material	Finish
42202T OP-00	AWG#22 -#28	1.00mm (max)	Phosphor Bronze	Au or Sn

Unit: mm

GENERAL TOLERANCES		SCALE:	NAME	DATE	康导新能源 网址: www.dgoonne.com 电话: 0769-853377633 邮箱: 2850175886@qq.com 传真: 0769-853922827	PART. NO:			
LINEAR	ANGLES	1:1	黎腾	2017.06.16		42202TOP-**			
0.0±0.25	X° REF±6°	APPROVED	肖坤权 <td>2017.06.16</td> <td>DWG. NO:</td>	2017.06.16		DWG. NO:			
0.00±0.15	X° ±3°	DESIGNER	旷淇 <td>2017.06.16</td> <td>ENDE05</td>	2017.06.16		ENDE05			
REV.	REVISION RECORD	DATE	SIZE: A4	0.000±0.08	X° X'±2°	DRAWN	TITLE: 2.20mm pitch Crimp Terminal	REV: AO	SHEET: 1/1