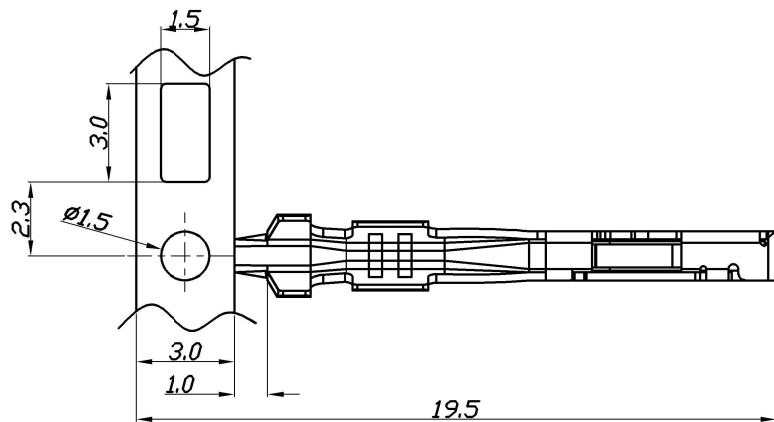
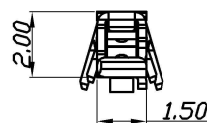
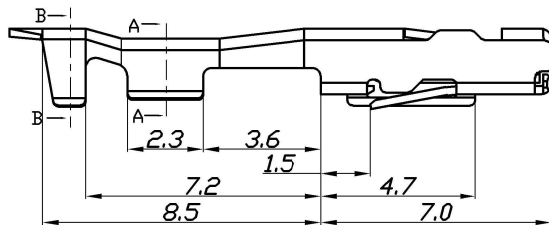
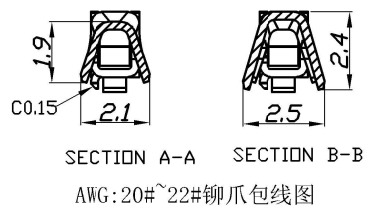
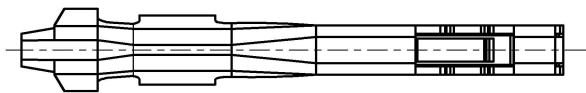
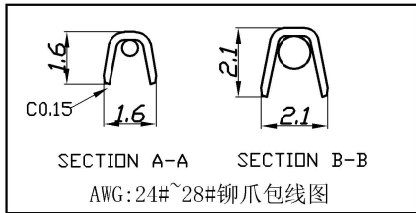


# 环保物料

Specifications:  
 Voltage Rating : 250V AC/DC  
 Current Rating : 3A AC,DC  
 Withstand Voltage : 1000V AC/minute  
 Contact Resistance : 30mΩ(MAX.)  
 Insulation Resistance : 1000MΩ(MIN.)  
 Temperature Range : -40°C~+120°C



42206TOP-SN-\*

A:AWG:20#~22#  
 B:AWG:24#~28#

Wire Range	Insulation O.D.	Material	Finish	Qty/reel
AWG #20~#28	1.00mm(max)	Phosphor Bronze	Tin-plated	6000 pcs

		GENERAL TOLERANCES		SCALE:	NAME	DATE	 康导新能源 网址: www.dgonne.com 电话: 0769-85337633 邮箱: 2850175986@qq.com 传真: 0769-85392627	PART. NO:		
		LINEAR	ANGLES	1:1	黎腾	2020. 10. 20		42206TOP-***		
		0.0±0.4	X° REF±3°	APPROVED	肖坤权	2020. 10. 20		DWG. NO:		
		0.00±0.3	X° ±2°	DESIGNER	黄薇	2020. 10. 20		ENDE05		
REV.	REVISION RECORD	DATE	SIZE: A4	0.000±0.2	X° X'±1°	DRAWN	TITLE:		REV:	SHEET:
A0	新图面发行	2020. 10. 20	UNIT: MM				2. 2PITCH 线端包线端子		A0	1/1