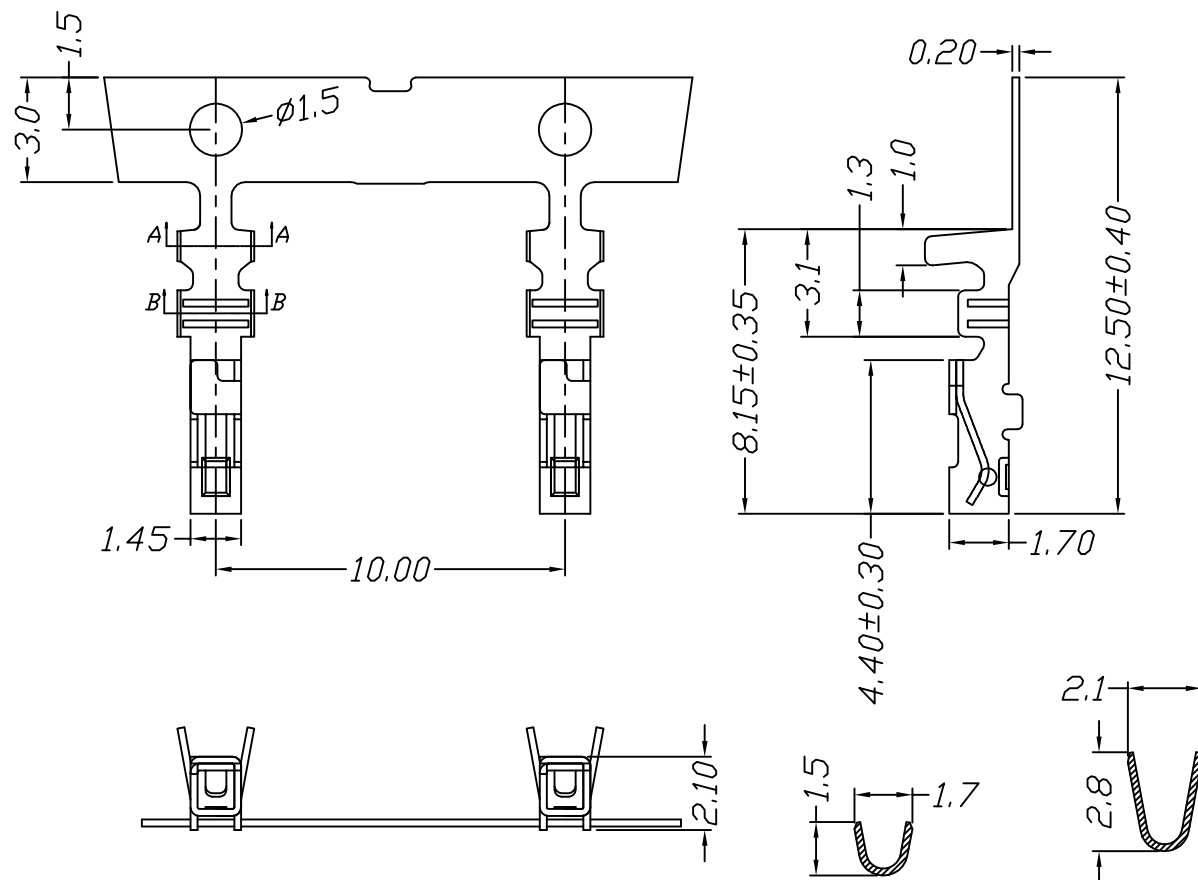


环保物料

Specifications:

Voltage Rating : 250V AC/DC
 Current Rating : 5A AC,DC
 Withstand Voltage : 1500V AC/minute
 Contact Resistance : 40mΩ(MAX.)
 Insulation Resistance : 1000V DC/1000MΩ(MIN.)
 Temperature Range : -55°C~+105°C



SECTION A-A SECTION B-B

Part No	Wire Range	Insulation O. D.	Material	Finish
42501T0 P-**	AWG#18 -#22	1.00mm (max)	Phosphor Bronze	Au or Sn

GENERAL TOLERANCES		SCALE:		NAME	DATE	康导新能源 网址: www.dgconne.com 电话: 0769-85337633 邮箱: 2850175986@qq.com 传真: 0769-85392827	PART. NO: 42501TOP-**
LINEAR	ANGLES	1:1	APPROVED				
0.0±0.35	X° REF±6°						DWG. NO: ENDE05
0.00±0.25	X° ±3°		DESIGNER			TITLE: 2.50mm pitch Crimp Terminal	REV: AO SHEET: 1/1
0.000±0.15	X° X'±2°		DRAWN	肖坤权	2018.7.28		