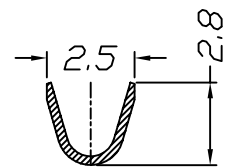
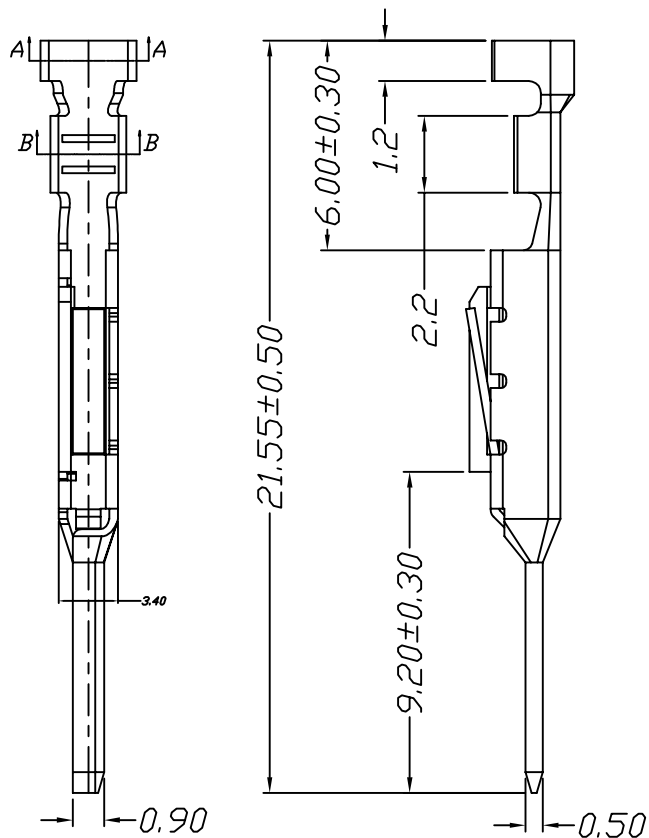
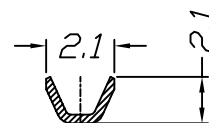


环保物料



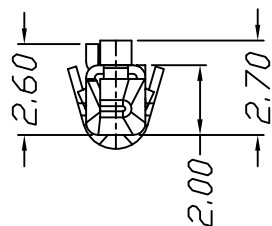
SECTION A-A



SECTION B-B

Specifications:

Voltage Rating : 250V AC/DC  
 Current Rating : 5A AC,DC  
 Withstand Voltage : 1500V AC/minute  
 Contact Resistance : 40mΩ(MAX.)  
 Insulation Resistance : 1000V DC/1000MΩ(MIN.)  
 Temperature Range : -55°C~+105°C



Wire Range	Insulation O. D.	Material	Finish
AWG#18 -#22	1.00mm (max)	Phosphor Bronze	Au or Sn

REV.	REVISION RECORD	DATE	UNIT: MM	GENERAL TOLERANCES		SCALE: 1:1	NAME	DATE
				LINEAR	ANGLES			
AO	新图面发行	2018. 7. 28	MM	0.00±0.25	X° ±3°	APPROVED		
	REVISION RECORD	DATE	SIZE: A4	0.000±0.15	X° X'±2°	DESIGNER	肖坤权	2018. 7. 28



PART. NO:  
**32501TOP-\*\*-T**

DWG. NO:  
ENDE05

REV: AO SHEET: 1/1

TITLE:  
**2.50mm pitch Crimp Terminal**