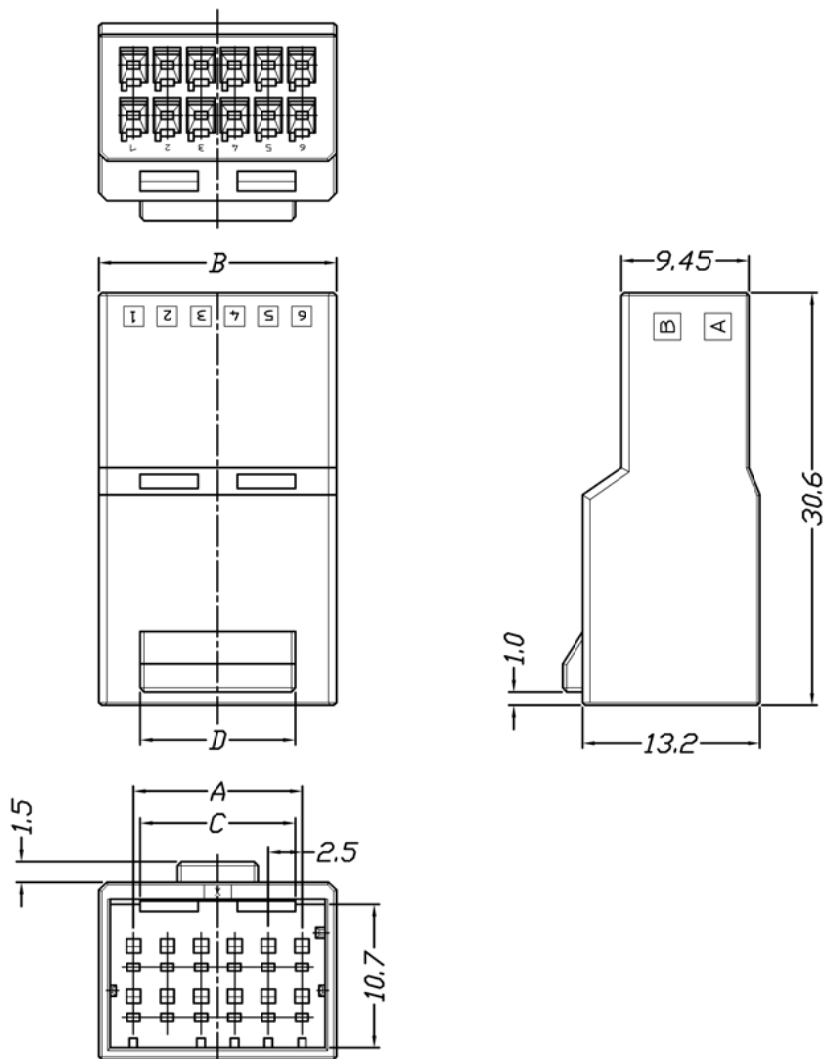


环保物料



Specifications:

Voltage Rating : 250V AC/DC
 Current Rating : 5A AC,DC
 Withstand Voltage : 1500V AC/minute
 Contact Resistance : 40mΩ(MAX.)
 Insulation Resistance : 1000V DC/1000MΩ(MIN.)
 Temperature Range : -55°C~+105°C

Part No	Dimensions			
	A	B	C	D
2*10P	22.5	27.7	11.5	11.5
2*6P	12.5	17.7	11.5	11.5
2*4P	7.5	12.7	4.0	4.0
2*3P	5.0	10.2	4.0	4.0
Material		Color		
PBT,UL94V-0		Black		

				GENERAL TOLERANCES		SCALE:	NAME	DATE	<p>康导新能源</p> <p>网址: www.dgoonne.com 电话: 0769-85337633 邮箱: 2850175988@qq.com 传真: 0769-85392827</p>	PART. NO:	
				LINEAR	ANGLES	1:1				32501H00-2*NPA-3-PT	
				0.0±0.35	X° REF±6°	APPROVED				DWG. NO:	
A0		新图面发行	2018.7.28	UNIT: MM	X° ±3°	DESIGNER				REV: A0	
REV.	REVISION RECORD		DATE	SIZE: A4	0.000±0.15	X° X'±2°	DRAWN	肖坤权	2018.7.28	SHEET: 1/1	

TITLE: 2.50mm pitch Dual Housing