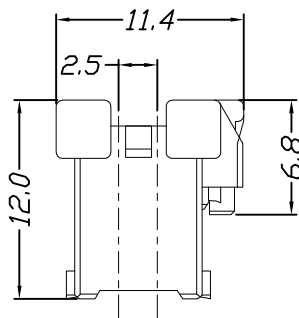
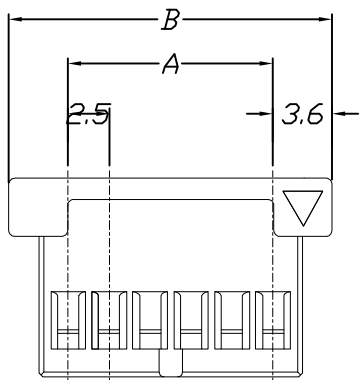


环保物料

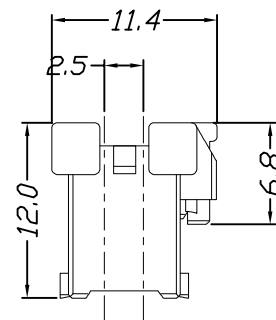
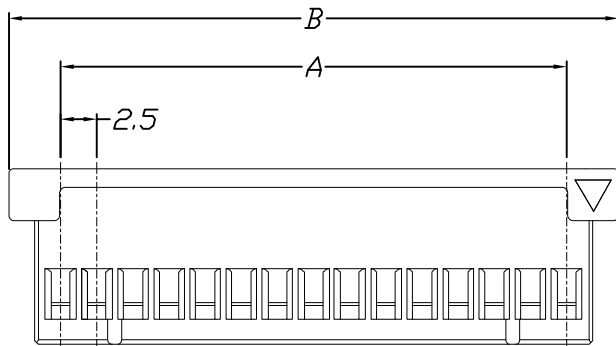
(8 to 16 circuits)



Specifications:

Voltage Rating : 250V AC/DC  
 Current Rating : 3A AC,DC  
 Withstand Voltage : 1000V AC/minute  
 Contact Resistance : 20mΩ(MAX.)  
 Insulation Resistance : 1000V DC/1000MΩ(MIN.)  
 Temperature Range : -25°C~+85°C

(18 to 40 circuits)



Part No.	Dimensions	
	A	B
2*4P	7.50	15.00
2*5P	10.00	17.50
2*6P	12.50	20.00
2*7P	15.00	22.50
2*8P	17.50	25.00
2*9P	20.00	27.50
2*10P	22.50	30.00
2*11P	25.00	32.50
2*12P	27.50	35.00
2*13P	30.00	37.50
2*14P	32.50	40.00
2*15P	35.00	42.50
2*16P	37.50	45.00
2*17P	40.00	47.50
2*18P	42.50	50.00
2*20P	47.50	55.00

Material	Color
PA66,UL94V-0	Black

REV.	REVISION RECORD	DATE	UNIT: MM	GENERAL TOLERANCES		SCALE: 1:1	NAME	DATE
				LINEAR	ANGLES			
AO	新图面发行	2018. 7. 28	MM	0.00±0.25	X° ±3°	APPROVED		
				0.000±0.15	X° X'±2°	DESIGNER		
			SIZE: A4			DRAWN	肖坤权	2018. 7. 28



PART. NO:  
42502H00-2XNP\*-66

DWG. NO:  
ENDE05

TITLE:  
2.50mm pitch Dual Housing

REV: AO SHEET: 1/1