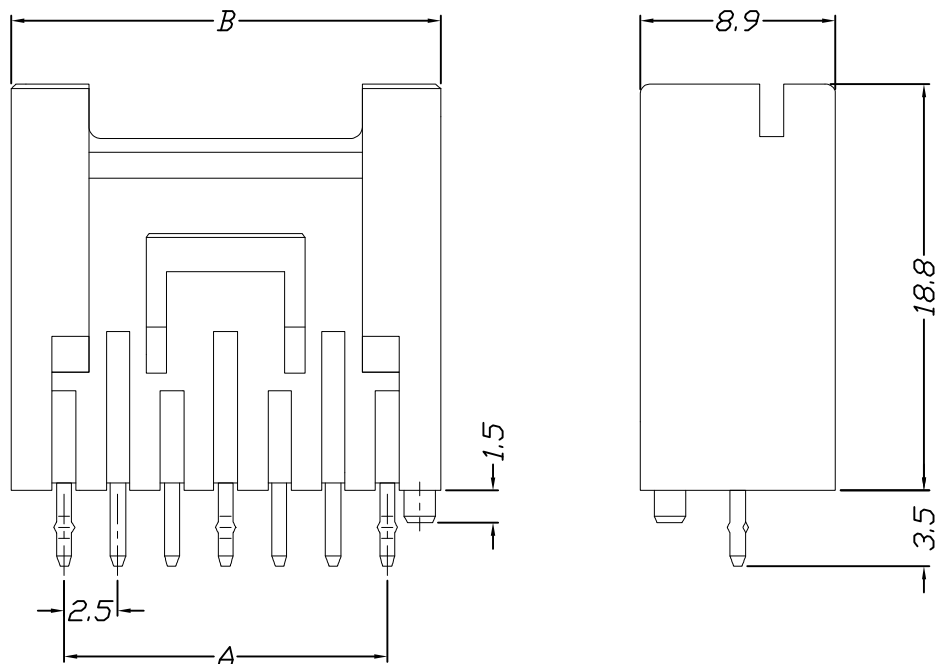
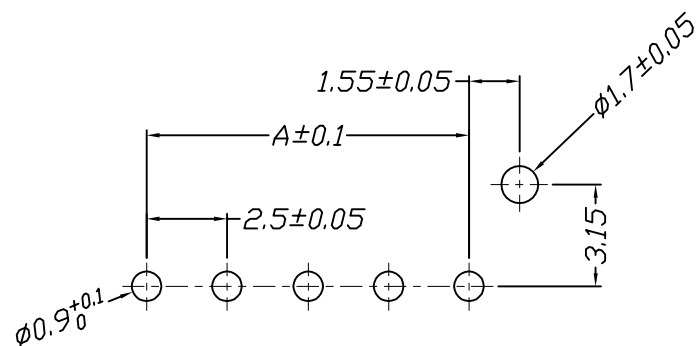


环保物料



Specifications:

Voltage Rating : 250V AC/DC  
 Current Rating : 3A AC,DC  
 Withstand Voltage : 1000V AC/minute  
 Contact Resistance : 20mΩ(MAX.)  
 Insulation Resistance : 1000V DC/500MΩ(MIN.)  
 Temperature Range : -25°C~+85°C



P.C.B. LAYOUT

Part No.	Dimensions	
	A	B
2P	2.50	8.90
3P	5.00	9.90
4P	7.50	12.40
5P	10.00	14.90
6P	12.50	17.40
7P	15.00	19.90
8P	17.50	22.40
9P	20.00	24.90
10P	22.50	27.40

Material	Color	PIN Material
NYLON 66,UL94V-0	Black	Brass

REV.	REVISION RECORD	DATE	UNIT: MM	GENERAL TOLERANCES		SCALE: 1:1	NAME	DATE	康导新能源	PART. NO: 42504W00-NP*-A1-**
				LINEAR	ANGLES					
AO	新图面发行	2018. 7. 28	UNIT: MM	0.00±0.25	X° ±3°	APPROVED			网址: www.dgoonne.com 电话: 0769-85337633 邮箱: 2850175986@qq.com 传真: 0769-85392827	DWG. NO: ENDE05
			SIZE: A4	0.000±0.15	X° X'±2°	DESIGNER				TITLE: 2.50mm pitch Single Wafer