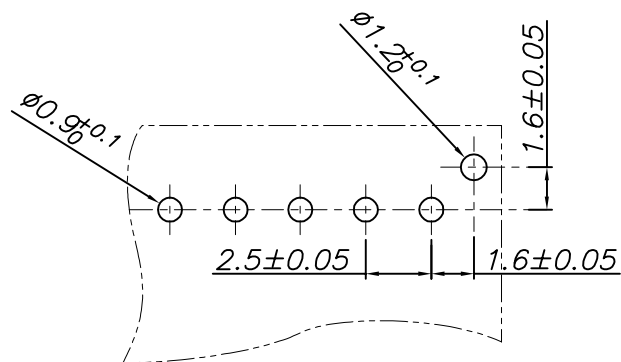
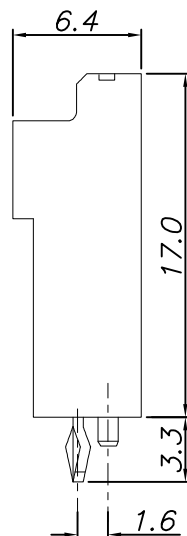
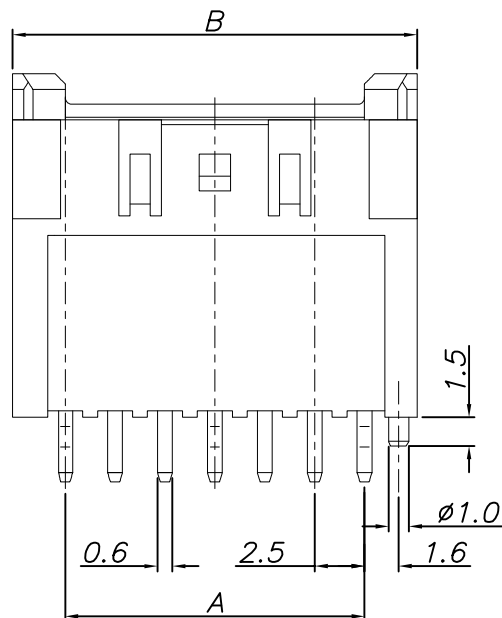


环保物料



P.C.B. LAYOUT

Specifications:

Voltage Rating : 250V AC/DC
 Current Rating : 3A AC,DC
 Withstand Voltage : 1000V AC/minute
 Contact Resistance : 20mΩ(MAX.)
 Insulation Resistance : 1000V DC/1000MΩ(MIN.)
 Temperature Range : -25°C~+85°C

Part No.	Dimensions		Part No.	Dimensions	
	A	B		A	B
2P	2.50	7.50	9P	20.00	25.00
3P	5.00	10.00	10P	22.50	27.50
4P	7.50	12.50	11P	25.00	30.00
5P	10.00	15.00	12P	27.50	32.50
6P	12.50	17.50	13P	30.00	35.00
7P	15.00	20.00	14P	32.50	37.50
8P	17.50	22.50	15P	35.00	40.00

Material	Color	PIN Material
NYLON&PBT,UL94V-0	Black	Brass

REV.	REVISION RECORD	DATE	UNIT: MM	GENERAL TOLERANCES		SCALE: 1:1	NAME	DATE
				LINEAR	ANGLES			
AO	新图面发行	2018. 7. 28	MM	0.00±0.25	X° ±3°	APPROVED		
			SIZE: A4	0.000±0.15	X° X'±2°	DESIGNER		
						DRAWN	肖坤权	2018. 7. 28



PART NO: 42507W00-NP*-B3-**	
DWG. NO: ENDE05	
REV: AO	SHEET: 1/1

TITLE:
2.50mm pitch Single Wafer