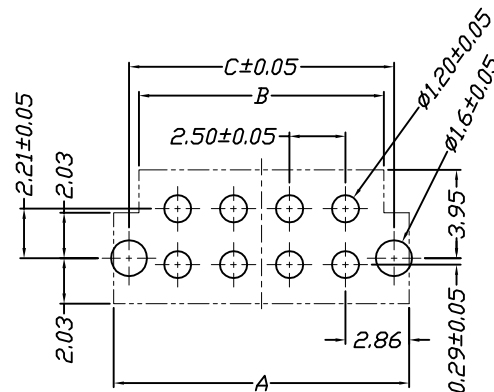
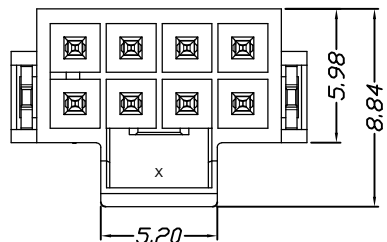
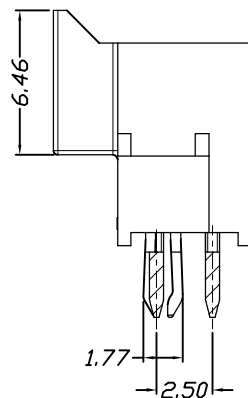
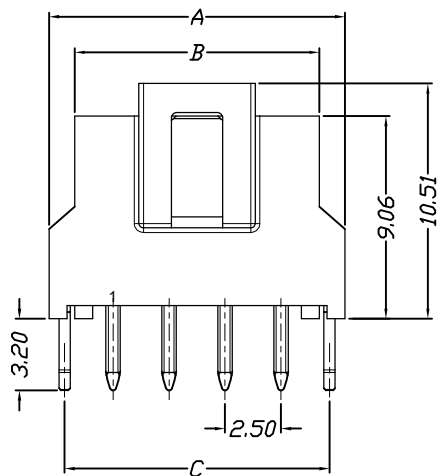


环保物料



P.C.B. LAYOUT



Specifications:

Voltage Rating : 250V AC/DC  
 Current Rating : 3A AC,DC  
 Withstand Voltage : 1500V AC/minute  
 Contact Resistance : 40mΩ(MAX.)  
 Insulation Resistance : 1000V DC/1000MΩ(MIN.)  
 Temperature Range : -40°C~+105°C

Part No.	Dimensions		
	A	B	C
2*2P	8.22	5.94	6.84
2*3P	10.72	8.44	9.34
2*4P	13.22	10.94	11.84
2*5P	15.72	13.44	14.34
2*6P	18.22	15.94	16.84
2*7P	20.72	18.44	19.34
2*8P	23.22	20.94	21.84

Material	Color	PIN Material
NYLON&PBT,UL94V-0	Black	Brass

REV.	REVISION RECORD	DATE	UNIT: MM	GENERAL TOLERANCES		SCALE: 1:1	NAME	DATE
				LINEAR	ANGLES			
AO	新图面发行	2018. 7. 28	MM	0.00±0.25	X° ±3°	APPROVED		
	REVISION RECORD	DATE	SIZE: A4	0.000±0.15	X° X'±2°	DESIGNER	肖坤权	2018. 7. 28



PART NO:  
42508W00-2XNP\*-B2-\*\*

DWG. NO:  
ENDE05

REV: AO SHEET: 1/1

TITLE:  
2.50mm pitch Dual Wafer