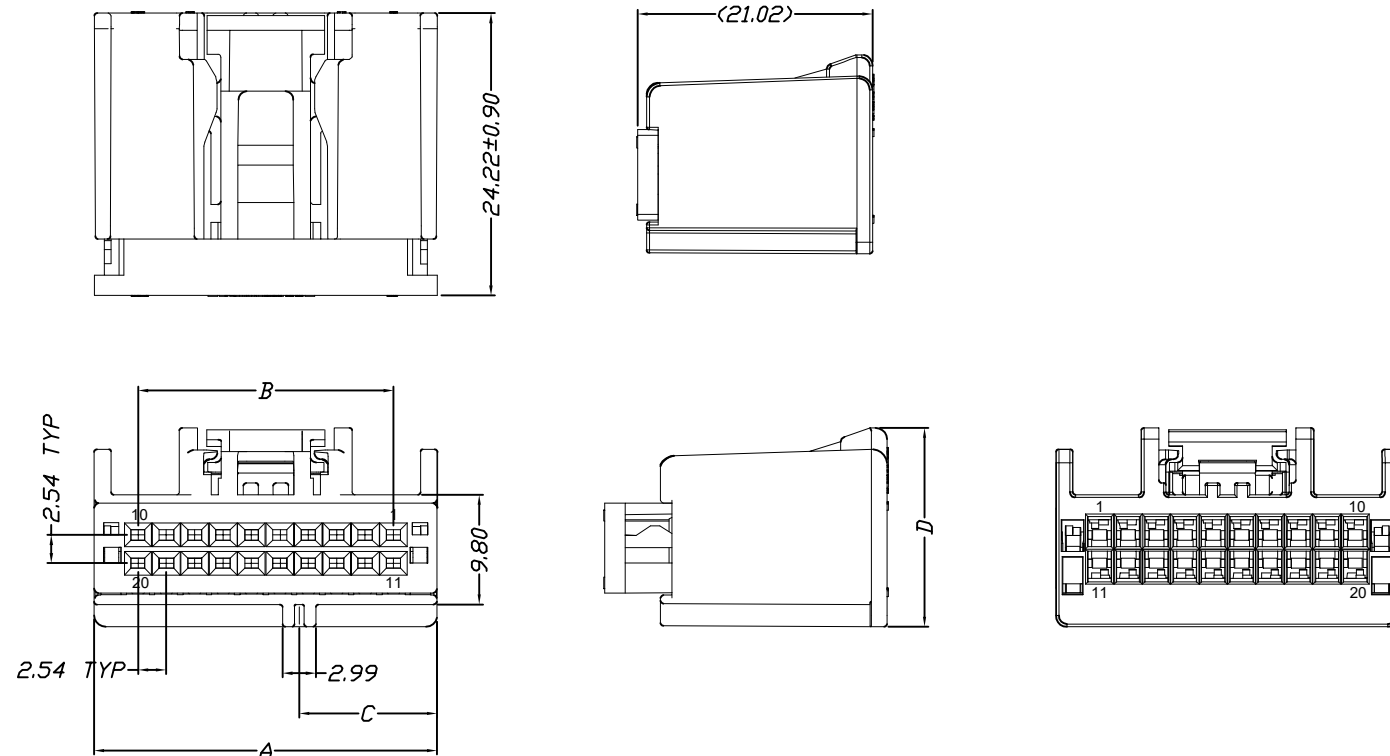


环保物料

Specifications:
 Voltage Rating : 250V AC/DC
 Current Rating : 3A AC,DC
 Withstand Voltage : 1500V AC/minute
 Contact Resistance : 40mΩ(MAX.)
 Insulation Resistance : 1000V DC/1000MΩ(MIN.)
 Temperature Range : -40°C~+105°C



Part No.	Dimensions			
	A	B	C	D
2*3P	15.44	5.08	3.46	17.98
2*4P	15.45	7.62	4.73	17.98
2*5P	17.99	10.16	6.00	17.98
2*6P	20.53	12.70	7.25	17.79
2*8P	25.61	17.78	9.81	17.79
2*10P	30.69	22.86	12.35	17.79
Material			Color	
PBT,UL94V-0			Black	

GENERAL TOLERANCES		SCALE: 1:1	NAME	DATE	康导新能源	PART NO: 42541H02-2XNP*-PT				
LINEAR	ANGLES						APPROVED			
0.0±0.35	X° REF±6°				网址: www.dgonne.com 电话: 0769-85337633 邮箱: 2850175986@qq.com 传真: 0769-85392827	DWG. NO: ENDE05				
0.00±0.25	X° ±3°	DESIGNER					TITLE: 2.54mm pitch Dual Housing			
REV.	REVISION RECORD	DATE	SIZE: A4	0.000±0.15	X° X'±2°	DRAWN	肖坤权	2018.7.28	REV: AO	SHEET: 1/1