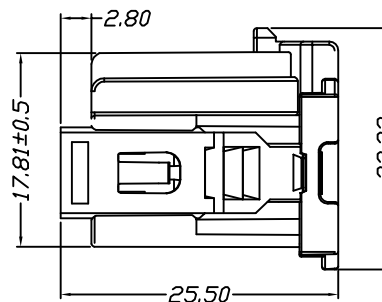
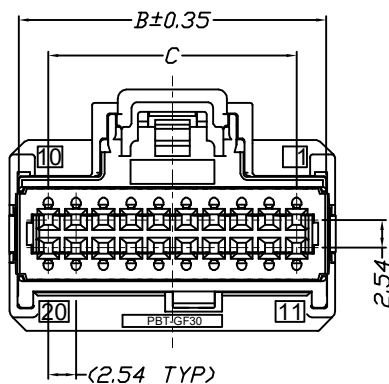
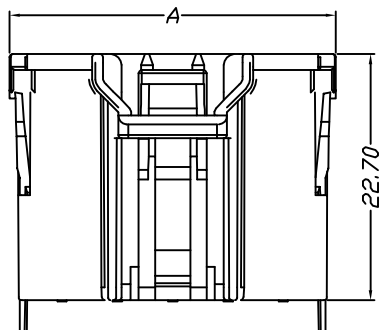


环保物料

Specifications:

Voltage Rating : 250V AC/DC  
 Current Rating : 3A AC,DC  
 Withstand Voltage : 1500V AC/minute  
 Contact Resistance : 40mΩ(MAX.)  
 Insulation Resistance : 1000V DC/1000MΩ(MIN.)  
 Temperature Range : -40°C~+105°C



Part No.	Dimensions			Color
	A	B	C	
2*4P	5.94	2.50	3.14	Black
2*6P	8.44	5.00	5.64	Gray
2*8P	10.94	7.50	8.14	Brown
2*10P	13.44	10.00	10.64	Green
Material				Color
PBT,UL94V-0				--

REV.	REVISION RECORD	DATE	UNIT: MM	GENERAL TOLERANCES		SCALE: 1:1	NAME	DATE
				LINEAR	ANGLES			
AO	新图面发行	2018.7.28	MM	0.00±0.25	X° ±3°	APPROVED		
	REVISION RECORD	DATE	SIZE: A4	0.000±0.15	X° X'±2°	DESIGNER	肖坤权	2018.7.28

**康导新能源**  
 网址: www.dgconne.com 电话: 0769-85337633  
 邮箱: 2850175986@qq.com 传真: 0769-85392827

TITLE: **2.54mm pitch Dual Housing**

PART. NO:	
<b>42541H00-2XNP*-PT</b>	
DWG. NO:	
ENDE05	
REV: AO	SHEET: 1/1