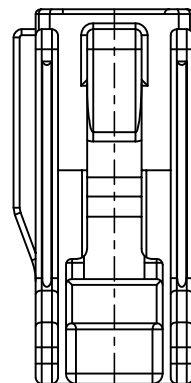
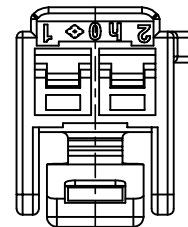
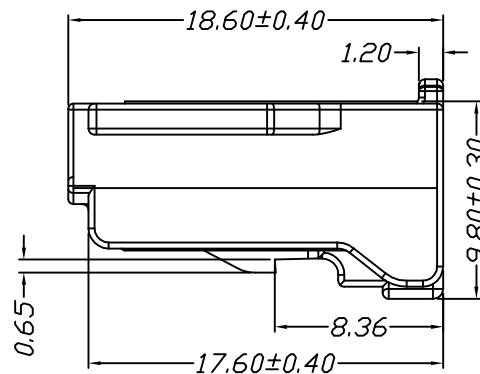
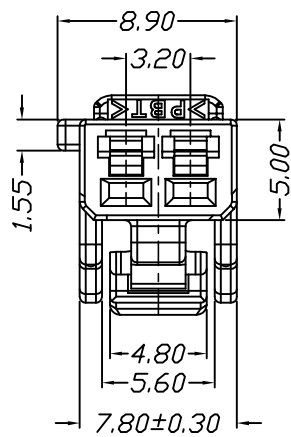


环保物料

Specifications:

Voltage Rating : 250V AC/DC  
 Current Rating : 9.5A AC,DC  
 Withstand Voltage : 1500V AC/minute  
 Contact Resistance : 10mΩ(MAX.)  
 Insulation Resistance : 1000V DC/1000MΩ(MIN.)  
 Temperature Range : -40°C~+85°C



Material	Color
PBT,UL94V-0	Black

				GENERAL TOLERANCES		SCALE: 1:1	NAME	DATE	 <b>康导新能源</b> 网址: www.dgonne.com 电话: 0769-85337633 邮箱: 2850175986@qq.com 传真: 0769-85392827	PART. NO: <b>43201H00-2P-PT</b>	
				LINEAR	ANGLES	APPROVED				DWG. NO: ENDE05	
AO	新图面发行	2018. 7. 28	UNIT: MM	0.00±0.25	X° ±3°	DESIGNER				REV: AO	SHEET: 1/1
REV.	REVISION RECORD	DATE	SIZE: A4	0.000±0.15	X° X'±2°	DRAWN	肖坤权	2018. 7. 28		TITLE: <b>3.20mm pitch Single Housing</b>	