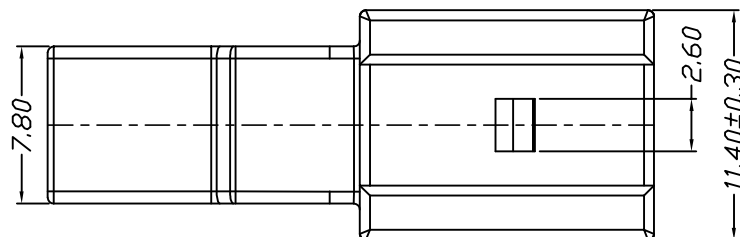
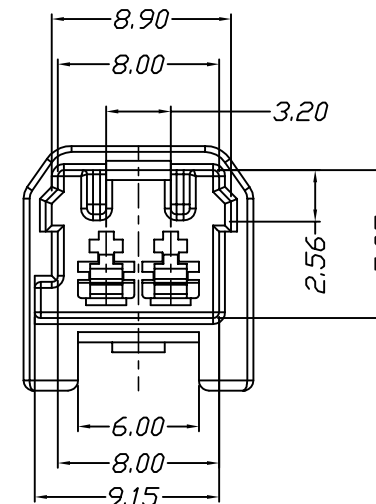
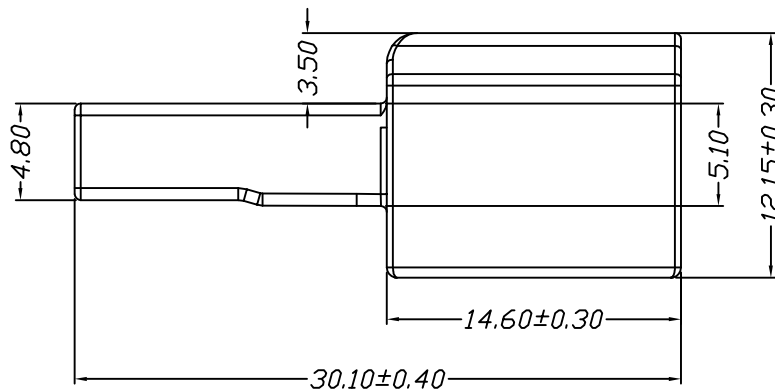
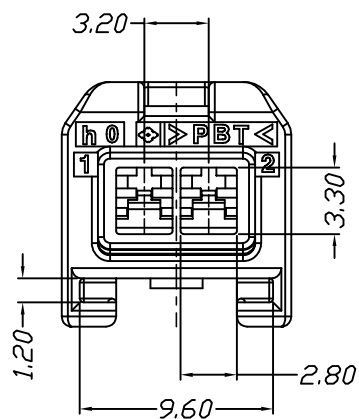



环保物料

Specifications:

Voltage Rating : 250V AC/DC  
 Current Rating : 9.5A AC,DC  
 Withstand Voltage : 1500V AC/minute  
 Contact Resistance : 10mΩ(MAX.)  
 Insulation Resistance : 1000V DC/1000MΩ(MIN.)  
 Temperature Range : -40°C~+85°C



Material	Color
PBT,UL94V-0	Black

				GENERAL TOLERANCES		SCALE: 1:1	NAME	DATE	 <p>康导新能源                  网址: www.dgconne.com 电话: 0769-85337633                  邮箱: 2850175988@qq.com 传真: 0769-85392827</p>	PART. NO: <b>33201H00-2P-PT</b>
				LINEAR	ANGLES	APPROVED				DWG. NO: ENDE05
AO	新图面发行	2018. 7. 28	UNIT: MM	0.00±0.25	X° REF±6°	DESIGNER				TITLE: <b>3.20mm pitch Single Housing</b>
REV.	REVISION RECORD	DATE	SIZE: A4	0.000±0.15	X° X'±2°	DRAWN	肖坤权	2018. 7. 28		REV: AO