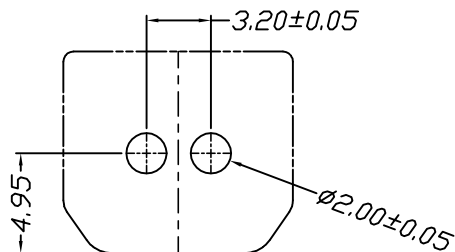
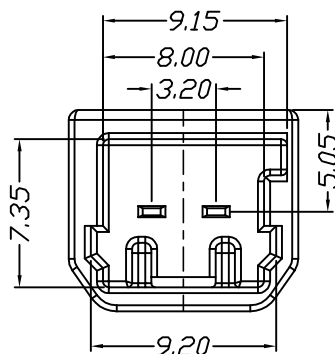


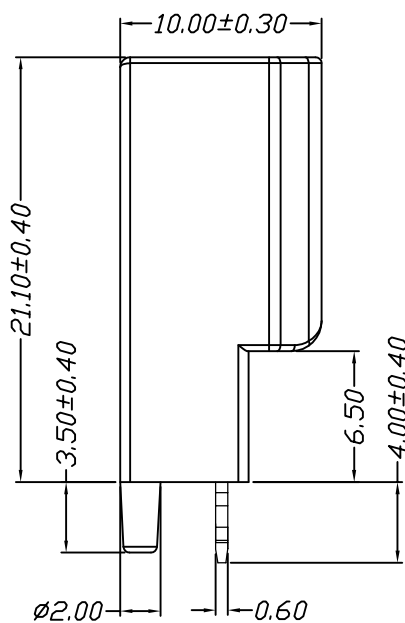
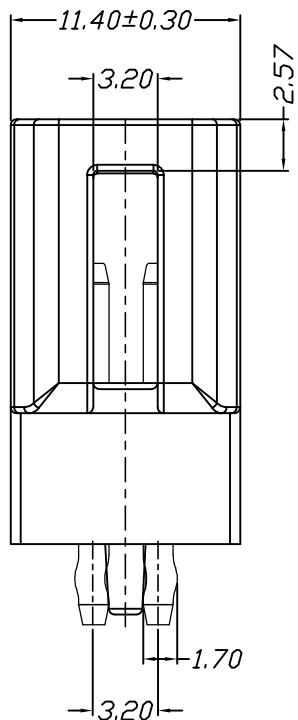
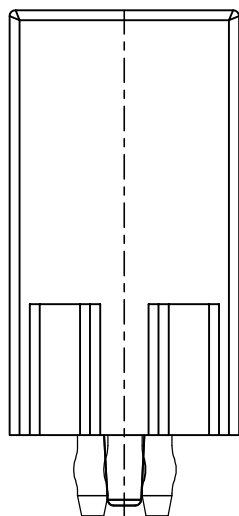
环保物料



P.C.B. LAYOUT

Specifications:

Voltage Rating : 250V AC/DC
 Current Rating : 9.5A AC,DC
 Withstand Voltage : 1500V AC/minute
 Contact Resistance : 10mΩ(MAX.)
 Insulation Resistance : 1000V DC/1000MΩ(MIN.)
 Temperature Range : -40°C~+85°C



Material	Color	PIN Material
NYLON&PBT,UL94V-0	Black	Brass

		GENERAL TOLERANCES		SCALE:	NAME	DATE	康导新能源 网址: www.dgconne.com 电话: 0769-85337633 邮箱: 2850175986@qq.com 传真: 0769-85392827	PART. NO:						
		LINEAR	ANGLES	1:1	APPROVED			43201W00-2P-A1-**						
		0.0±0.35	X° REF±6°	DESIGNER				DWG. NO:						
AO	新图面发行	2018.7.28	UNIT: MM	0.00±0.25	X° ±3°			ENDE05						
REV.	REVISION RECORD	DATE	SIZE: A4	0.000±0.15	X° X'±2°	DRAWN	肖坤权	2018.7.28	TITLE:	3.20mm pitch Single Wafer	REV:	AO	SHEET:	1/1