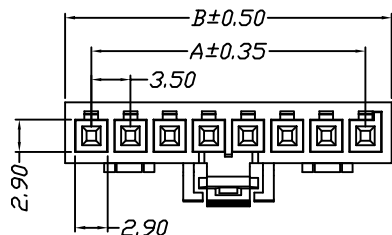


环保物料

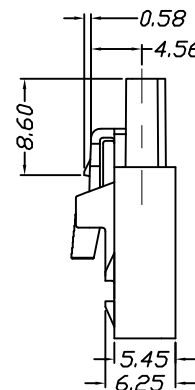
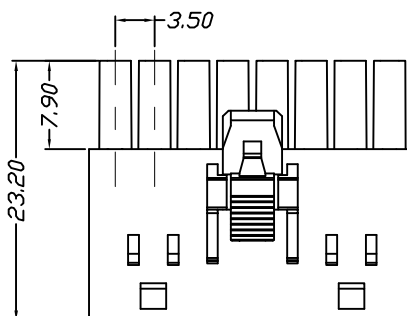
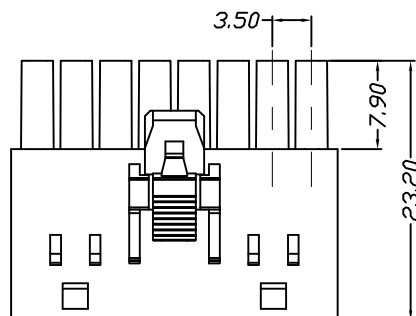
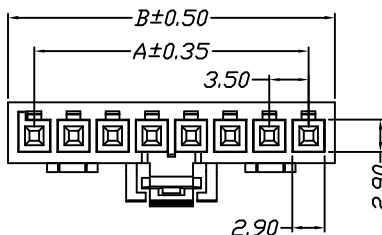
Specifications:

Voltage Rating : 250V AC/DC
 Current Rating : 7A AC,DC
 Withstand Voltage : 1500V AC/minute
 Contact Resistance : 20mΩ(MAX.)
 Insulation Resistance : 1000V DC/1000MΩ(MIN.)
 Temperature Range : -40°C~+120°C

43501H00-NP*-G1-6T



43501H01-NP*-G1-6T



Part No	Dimensions	
	A	B
2P	3.50	8.20
3P	7.00	11.70
4P	10.50	15.20
5P	14.00	18.70
6P	17.50	22.20
7P	21.00	25.70
8P	24.50	29.20
Material		Color
PA6T,UL94V-0		Black

REV.	REVISION RECORD	DATE	UNIT: MM	GENERAL TOLERANCES		SCALE: 1:1	NAME	DATE
				LINEAR	ANGLES			
AO	新图面发行	2018. 7. 28	UNIT: MM	0.00±0.25	X° ±3°	APPROVED		
REV.	REVISION RECORD	DATE	SIZE: A4	0.000±0.15	X° X'±2°	DESIGNER	肖坤权	2018. 7. 28

康导新能源
 网址: www.dgconne.com 电话: 0769-85337633
 邮箱: 2850175986@qq.com 传真: 0769-85392827

TITLE: **3.50mm pitch Single Housing**

PART NO: 43501H0*-NP*-G1-6T	
DWG. NO: ENDE05	
REV: AO	SHEET: 1/1