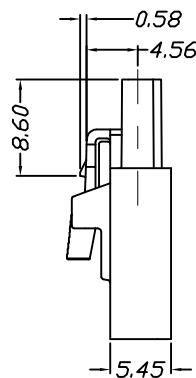
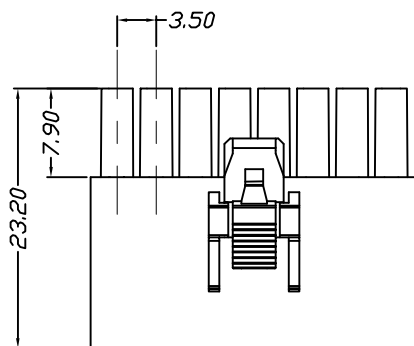
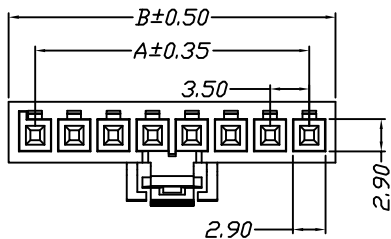


环保物料

Specifications:

Voltage Rating : 250V AC/DC  
 Current Rating : 7A AC,DC  
 Withstand Voltage : 1500V AC/minute  
 Contact Resistance : 20mΩ(MAX.)  
 Insulation Resistance : 1000V DC/1000MΩ(MIN.)  
 Temperature Range : -40°C~+120°C



Part No	Dimensions	
	A	B
2P	3.50	8.20
3P	7.00	11.70
4P	10.50	15.20
5P	14.00	18.70
6P	17.50	22.20
7P	21.00	25.70
8P	24.50	29.20
Material		Color
PA6T,UL94V-0		Black

REV.	REVISION RECORD	DATE	UNIT: MM	GENERAL TOLERANCES		SCALE: 1:1	NAME	DATE
				LINEAR	ANGLES			
AO	新图面发行	2018. 7. 28	MM	0.00±0.25	X° ±3°	APPROVED		
			SIZE: A4	0.000±0.15	X° X'±2°	DESIGNER		
						DRAWN	肖坤权	2018. 7. 28



PART. NO:	<b>43501H00-NP*-6T</b>	
DWG. NO:	ENDE05	
REV:	AO	SHEET: 1/1

TITLE:  
**3.50mm pitch Single Housing**