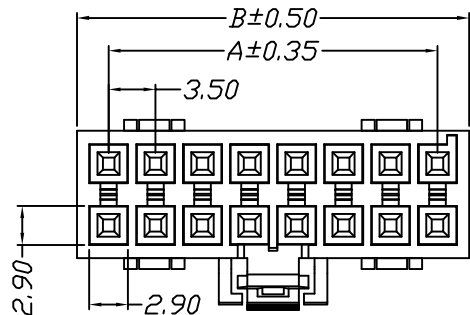


环保物料

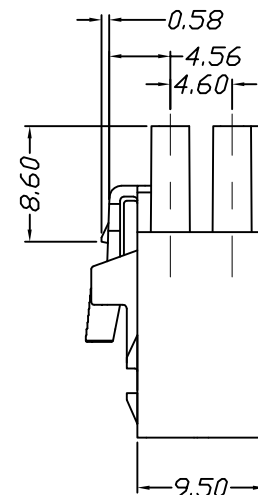
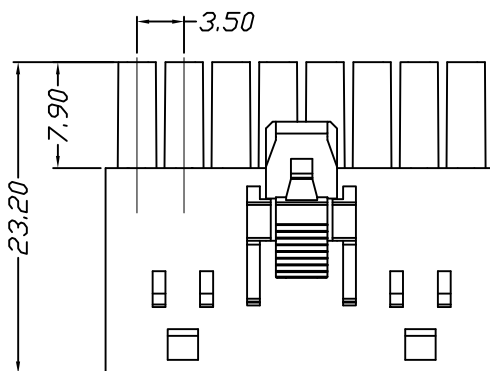
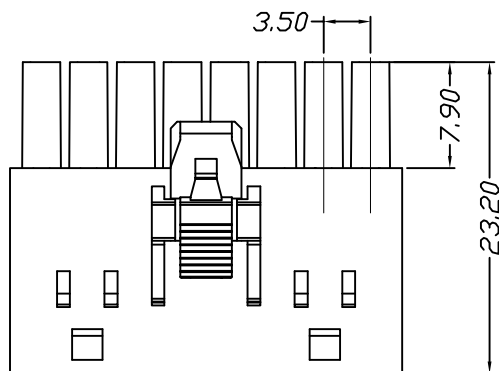
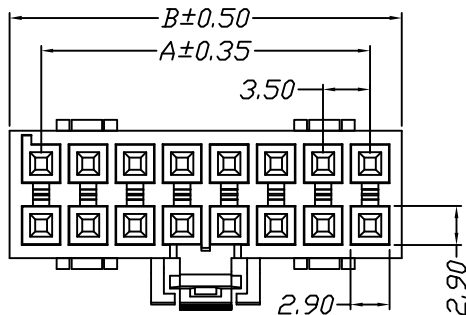
Specifications:

Voltage Rating : 250V AC/DC
 Current Rating : 7A AC,DC
 Withstand Voltage : 1500V AC/minute
 Contact Resistance : 20mΩ(MAX.)
 Insulation Resistance : 1000V DC/1000MΩ(MIN.)
 Temperature Range : -40°C~+120°C

43501H00-2XNP*-G1-4T



43501H01-2XNP*-G1-4T



Part No	Dimensions	
	A	B
2*2P	3.50	8.20
2*3P	7.00	11.70
2*4P	10.50	15.20
2*5P	14.00	18.70
2*6P	17.50	22.20
2*7P	21.00	25.70
2*8P	24.50	29.20
Material		Color
PA6T,UL94V-0		Black

GENERAL TOLERANCES		SCALE:	NAME	DATE
LINEAR	ANGLES	1:1		
0.0±0.35	X° REF±6°	APPROVED		
0.00±0.25	X° ±3°	DESIGNER		
0.000±0.15	X° X'±2°	DRAWN	肖坤权	2018.7.28



PART NO:		43501H0*-2XNP*-G1-6T	
DWG. NO: ENDE05			
REV: AO	SHEET: 1/1		

TITLE: 3.50mm pitch Dual Housing

A
B
C
D
E
F
G
H

A
B
C
D
E
F
G
H

1 2 3 4 5 6 7 8