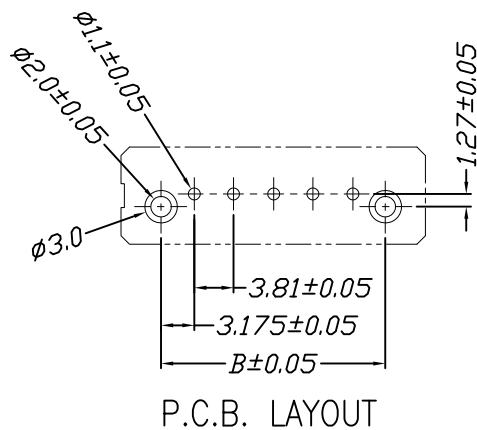
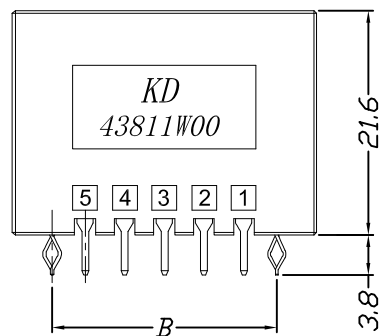
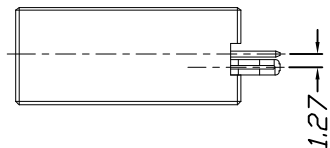
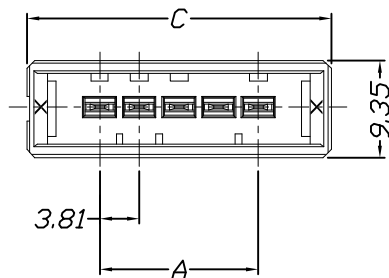


环保物料

Specifications:

Voltage Rating : 250V AC/DC
 Current Rating : 8A AC,DC
 Withstand Voltage : 1500V AC/minute
 Contact Resistance : 15mΩ(MAX.)
 Insulation Resistance : 1000V DC/1000MΩ(MIN.)
 Temperature Range : -55°C~+105°C



Part No.	Dimensions		
	A	B	C
3P	7.62	13.97	21.62
4P	11.43	17.78	25.43
5P	15.24	21.59	29.24
6P	19.05	25.40	33.05
8P	26.67	33.02	40.67
10P	34.29	40.64	48.29

Material	Color	PIN Material
NYLON&PBT,UL94V-0	Black	Brass

REV.	REVISION RECORD	DATE	SIZE: A4	GENERAL TOLERANCES		SCALE:	NAME	DATE	康导新能源	PART. NO: 43811W00-NP*-A1-***
				LINEAR	ANGLES	1:1				
A0	新图面发行	2018. 7. 28	UNIT: MM	0.00±0.25	X° ±3°	APPROVED			 网址: www.dgoonne.com 电话: 0769-85337633 邮箱: 2850175988@qq.com 传真: 0769-85362627	DWG. NO: ENDE05
				0.000±0.15	X° X'±2°	DESIGNER				REV: A0
						DRAWN	肖坤权	2018. 7. 28	TITLE: 3.81mm pitch Single Wafer	