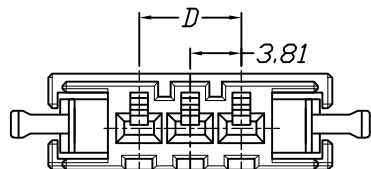
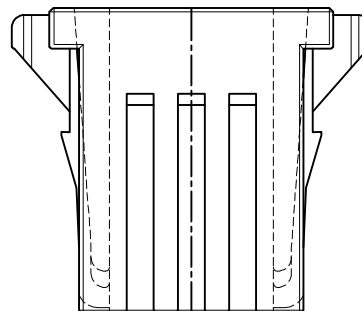
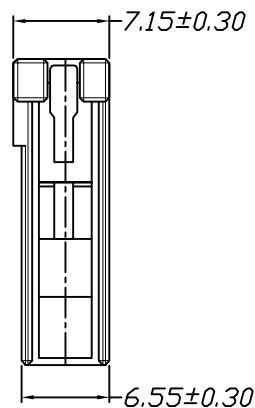
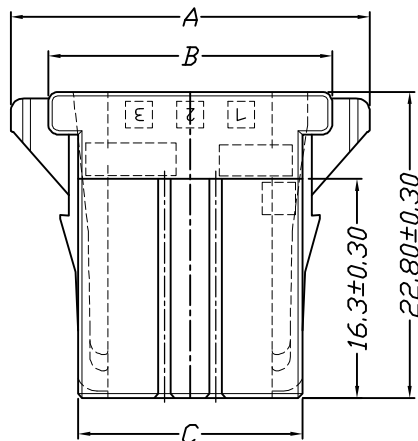
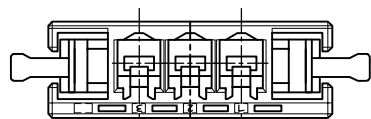


环保物料

Specifications:

Voltage Rating : 250V AC/DC
 Current Rating : 8A AC,DC
 Withstand Voltage : 1500V AC/minute
 Contact Resistance : 15mΩ(MAX.)
 Insulation Resistance : 1000V DC/1000MΩ(MIN.)
 Temperature Range : -55°C~+105°C



Circuits Part No	Dimensions			
	A	B	C	D
10P	53.43	47.83	43.37	34.29
8P	45.81	40.12	25.97	26.67
6P	38.19	32.59	28.13	19.05
5P	34.38	28.78	24.32	15.24
4P	30.57	24.97	20.51	11.43
3P	26.76	21.16	16.7	7.62
Material			Color	
PBT,UL94V-0			Black	

REV.	REVISION RECORD	DATE	UNIT: MM	GENERAL TOLERANCES		SCALE: 1:1	NAME	DATE	康导新能源 网址: www.dgonne.com 电话: 0769-85337633 邮箱: 2850175988@qq.com 传真: 0769-85392827	PART. NO: 43811H00-NPA-PT
				LINEAR	ANGLES					
AO	新图面发行	2018. 7. 28	MM	0.00±0.25	X° ±3°	APPROVED				
REV.	REVISION RECORD	DATE	SIZE: A4	0.000±0.15	X° X'±2°	DRAWN	肖坤权	2018. 7. 28	TITLE: 3.81mm pitch Single Housing	REV: AO SHEET: 1/1