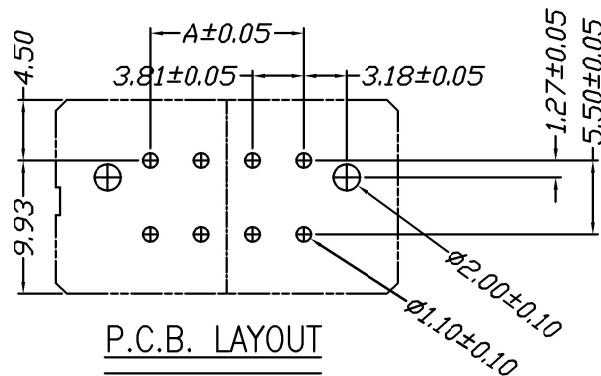
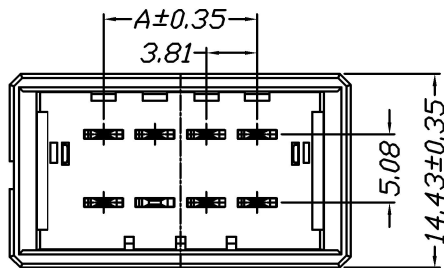


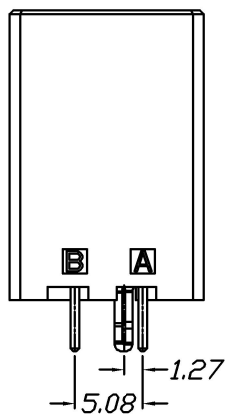
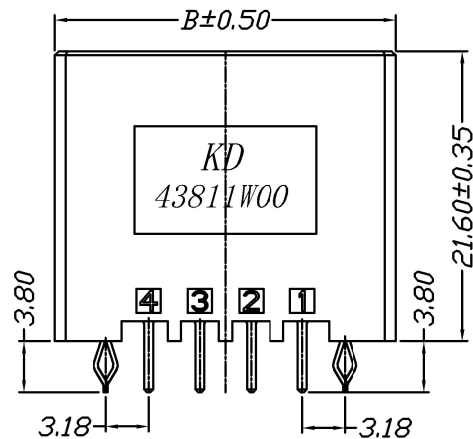
环保物料

Specifications:

Voltage Rating : 250V AC/DC  
 Current Rating : 8A AC,DC  
 Withstand Voltage : 1500V AC/minute  
 Contact Resistance : 15mΩ(MAX.)  
 Insulation Resistance : 1000V DC/1000MΩ(MIN.)  
 Temperature Range : -55°C~+105°C



P.C.B. LAYOUT



Part No	Dimensions	
	A	B
2*3P	7.62	21.62
2*4P	11.43	25.43
2*5P	15.24	29.24
2*6P	19.05	33.05
2*8P	26.67	37.67
2*10P	34.29	48.29

Material	Color	PIN Material
PBT,UL94V-0	Black	Brass

REV.	REVISION RECORD	DATE	UNIT: MM	GENERAL TOLERANCES		SCALE: 1:1	NAME	DATE
				LINEAR	ANGLES			
AO	新图面发行	2018. 7. 28	MM	0.00±0.25	X° ±3°	APPROVED		
	REVISION RECORD	DATE	SIZE: A4	0.000±0.15	X° X'±2°	DESIGNER	肖坤权	2018. 7. 28



TITLE: 3.81mm pitch Dual Wafer

PART NO:	43811W00-2*NPA-A1-**	
DWG. NO:	ENDE05	
REV:	AO	SHEET: 1/1