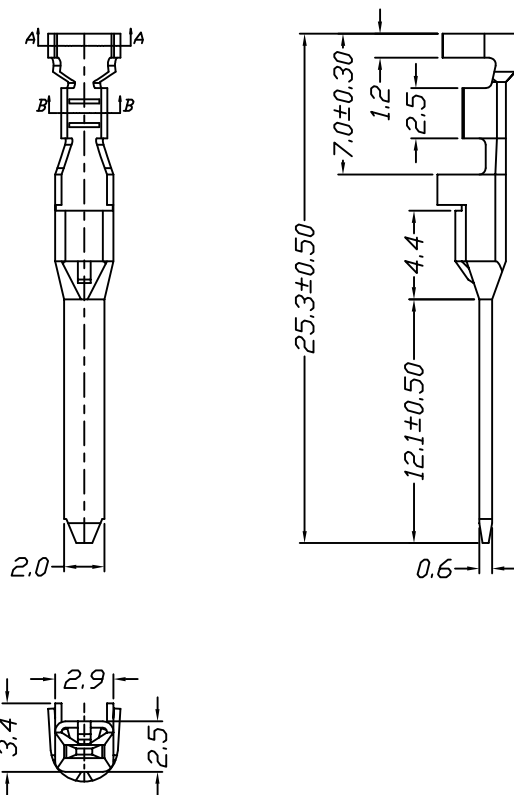


环保物料

Specifications:

Voltage Rating : 250V AC/DC
 Current Rating : 8A AC,DC
 Withstand Voltage : 1500V AC/minute
 Contact Resistance : 15mΩ(MAX.)
 Insulation Resistance : 1000V DC/1000MΩ(MIN.)
 Temperature Range : -55°C~+105°C



Part No	Wire Range	Insulation O. D.	Material	Finish
33811T OP-**-T	AWG#20 -#24	1.20mm (max)	Phosphor Bronze	Au or Sn

REV.	REVISION RECORD	DATE	UNIT: MM	GENERAL TOLERANCES		SCALE: 1:1	NAME	DATE	康导新能源 网址: www.dgoonne.com 电话: 0769-85337633 邮箱: 2850175988@qq.com 传真: 0769-85392827	PART. NO: 33811TOP-**-T	
				LINEAR	ANGLES					DWG. NO: ENDE05	REV: AO
AO	新图面发行	2018. 7. 28	UNIT: MM	0.00±0.25	X° ±3°					TITLE: 3.81mm pitch Crimp Terminal	
			SIZE: A4	0.000±0.15	X° X'±2°		肖坤权	2018. 7. 28			